

# 8'-0" MPDS OXO and XX Door Units Non-Impact Lab Drawings

## Installation

- Windload Assembly Procedural Guide 050217 p.A-11 – Anchor Detail

## Door System

- Windload Assembly Procedural Guide 050217 p.A-2 – Double Door
- Windload Assembly Procedural Guide 050217 p.A-4 – Single Door w/Sidelites
- P-FSJ-409-RNP-I-80 – Inswing FrameSaver RH Blank Jamb
- P-FSJ-409-LNP-I-80 – Inswing FrameSaver LH Blank Jamb
- P-FSJ-409-RNP-O-60 – Outswing FrameSaver RH Blank Jamb
- P-FSJ-409-LNP-O-80 – Outswing FrameSaver LH Blank Jamb
- P-FSJ-409-RHP-O-80 – Outswing FrameSaver RH Hinge Jamb
- P-FSJ-409-LHP-O-80 – Outswing FrameSaver LH Hinge Jamb
- FJMH-409-303030 – Fingerjointed Wood Header OXO
- FJHD-409-60 – Fingerjointed Wood Header XX
- C2031231 rev A p. 1-3 – Articulating Cap Inswing Threshold
- C2030805 rev B p. 1-3 – Z-Series Outswing Threshold
- P-FSM-409-RHP-I-80 – Inswing FrameSaver RH Hinge Mull Post
- P-FSM-409-RSP-I-80 – Inswing FrameSaver RH Strike Mull Post
- P-FSM-409-LHP-O-80 – Outswing FrameSaver LH Hinge Mull Post
- P-FSM-409-LSP-O-80 – Outswing FrameSaver LH Strike Mull Post

## Opaque and Lip-Lite Glazed Door Panel

- C2030367 rev F – Top Rail
- RW09-00119 rev E – Composite Bottom Rail
- C2030386 rev G – Stiles
- C2030318 rev D – Lock Block
- A1020319 rev D p. 1-2 – Insulated Glass
- SBP-LF-0003 rev A p. 1-2 – Injection Molded Lite Frame

## Flush Glazed Door Panel

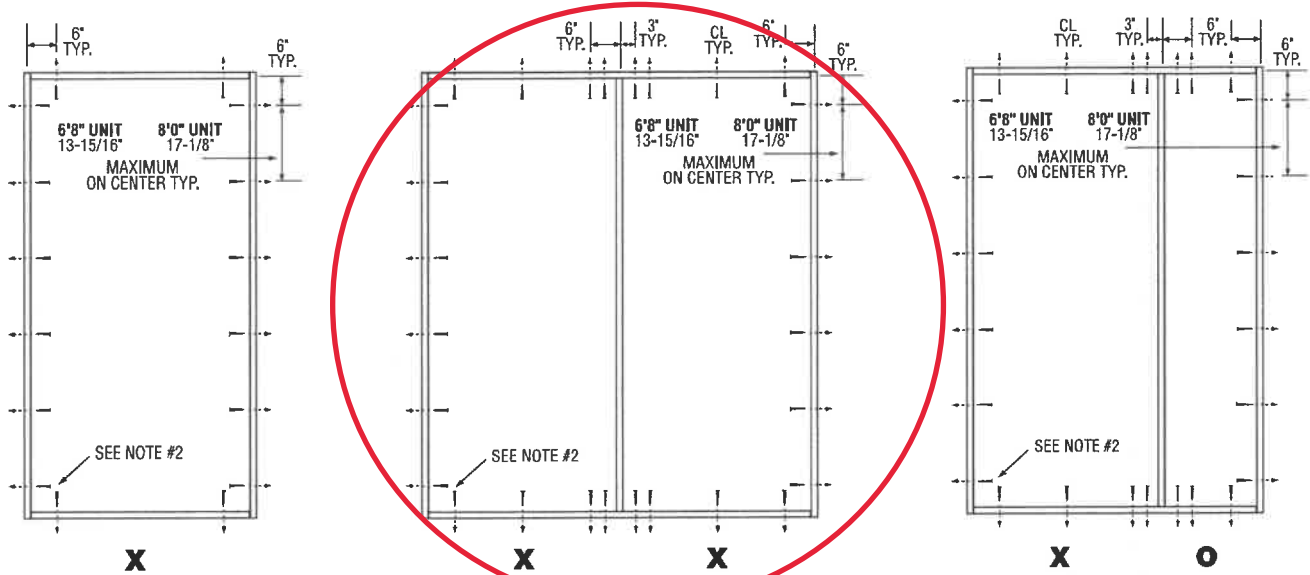
- A1020163 rev H p. 1-11 – Panel Assembly
- C2030367 rev F – Top Rail
- C2030330 rev F p. 2 of 3 – Composite Bottom Rail
- C2030387 rev M p. 1-2 – Stiles
- RW10-00008 rev M – Lock Block
- A1020319 rev D p. 1-2 – Insulated Glass

**AMERICAN TEST LAB NORTH**  
DATE 11/30/23  
REPORT NO. ATLNC 0511.01-23

*Keith Owen*

**ATL INSPECTOR**

# STRUCTURAL PERFORMANCE ANCHOR DETAIL



**Minimum Fastener Count**

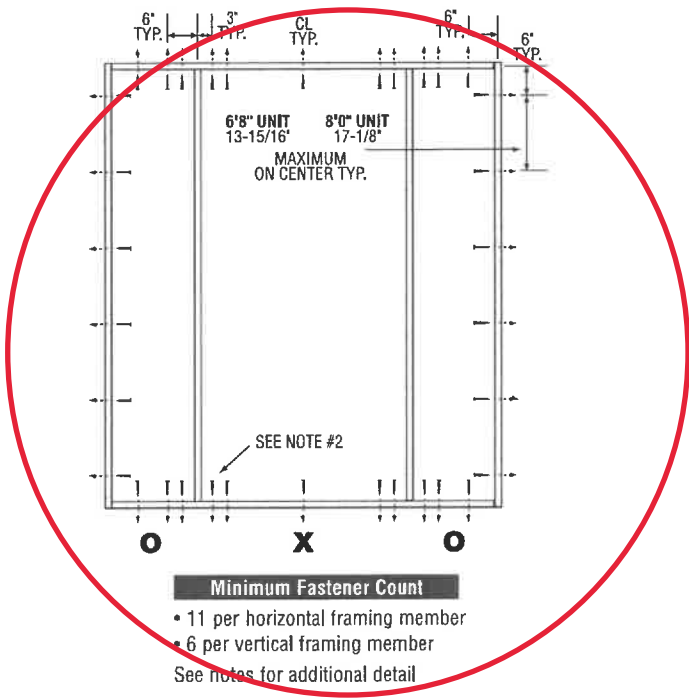
- 2 per horizontal framing member
  - 6 per vertical framing member
- See notes for additional detail

**Minimum Fastener Count**

- 8 per horizontal framing member
  - 6 per vertical framing member
- See notes for additional detail

**Minimum Fastener Count**

- 7 per horizontal framing member
  - 6 per vertical framing member
- See notes for additional detail



**Minimum Fastener Count**

- 11 per horizontal framing member
  - 6 per vertical framing member
- See notes for additional detail



**Minimum Fastener Count**

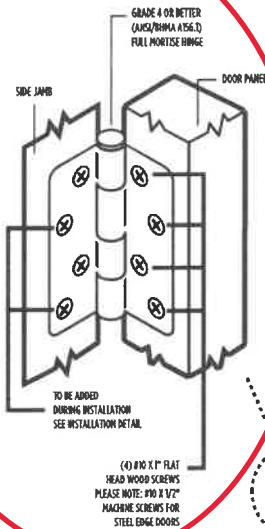
- 16 per horizontal framing member
  - 6 per vertical framing member
- See notes for additional detail

- NOTES:**
1. Cylindrical and deadbolt hardware required at 5-1/2" centerline for 6'8" and smaller and 10-1/2" centerline for door heights greater than 6'8". Evaluated with Kwikset Series 400 latch and Series 980 deadbolt.
  2. Fasteners analyzed for this unit include #10 wood screws (1-1/2" embedment) or 3/16" Tapcons (1-1/4" embedment).
  3. Two #10 x 2-1/2" screws required through each hinge on the vertical jamb or mullion.
  4. Two #8 x 2" screws required through each strike plate.
  5. Wood bucks by others, must be anchored properly to transfer loads to the structure.
  6. Rough opening to accommodate no greater than 1/4" shim space.

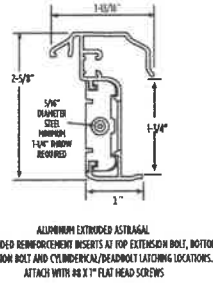
©2017 - Rev. OS0217  
 Our Continuing program of product improvement makes specifications, design and product detail subject to change without notice



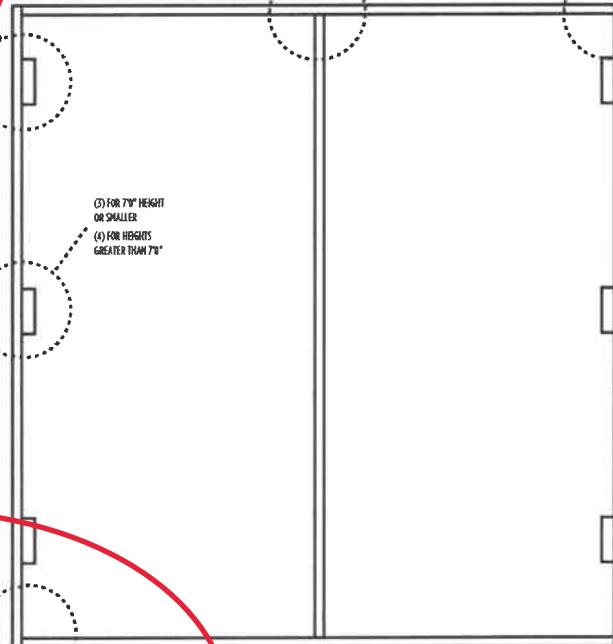
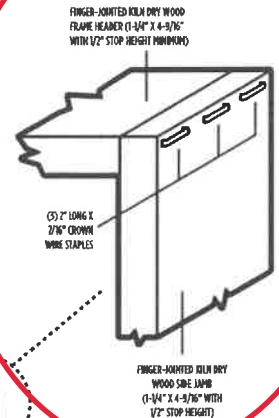
**TYPICAL HINGE ATTACHMENT**



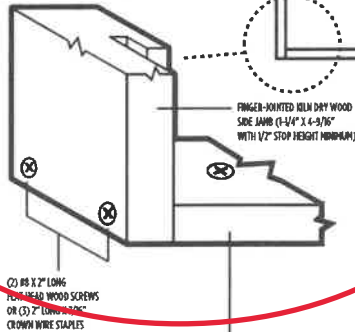
**TYPICAL ASTRAGAL PROFILES**



**TYPICAL HEADER & SIDE JAMB ATTACHMENT**



**TYPICAL THRESHOLD & SIDE JAMB ATTACHMENT**



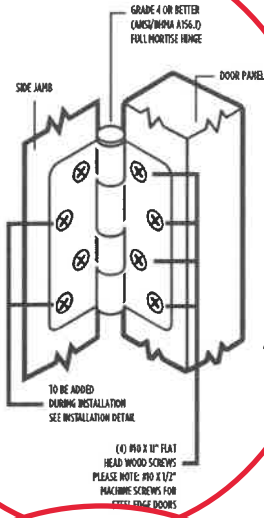
**TYPICAL THRESHOLD PROFILES**



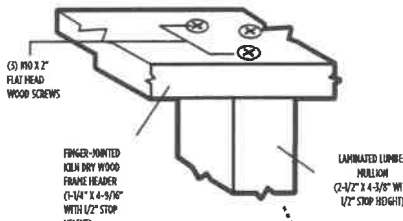
**AMERICAN TEST LAB NORTH**  
DATE 11/30/23  
REPORT NO. ATLNC 0511.01-23

*Keith Owen*  
**ATL INSPECTOR**

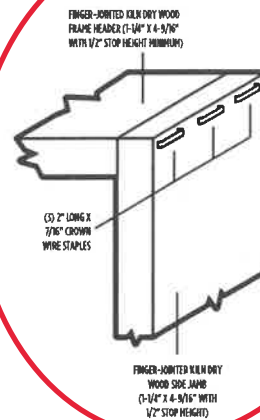
**TYPICAL HINGE ATTACHMENT**



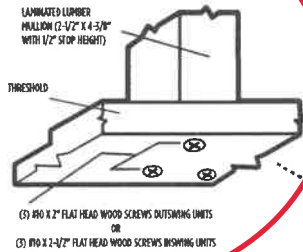
**TYPICAL MULLION ATTACHMENT**



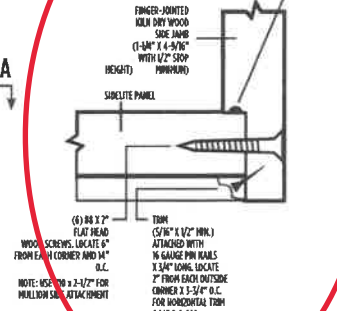
**TYPICAL HEADER & SIDE JAMB ATTACHMENT**



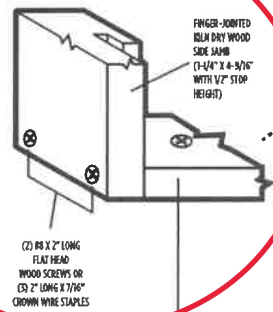
**TYPICAL THRESHOLD & MULLION ATTACHMENT**



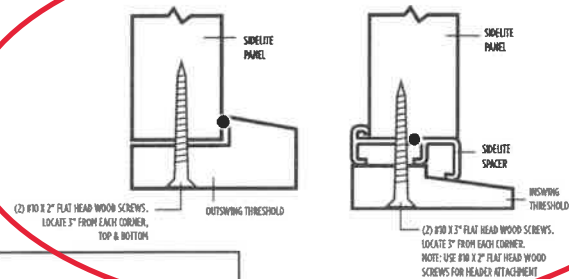
**SECTION A-A TYPICAL SIDE JAMB & SIDELITE PANEL ATTACHMENT**



**TYPICAL THRESHOLD & SIDE JAMB ATTACHMENT**



**SECTION B-B TYPICAL THRESHOLD & SIDELITE PANEL ATTACHMENT**



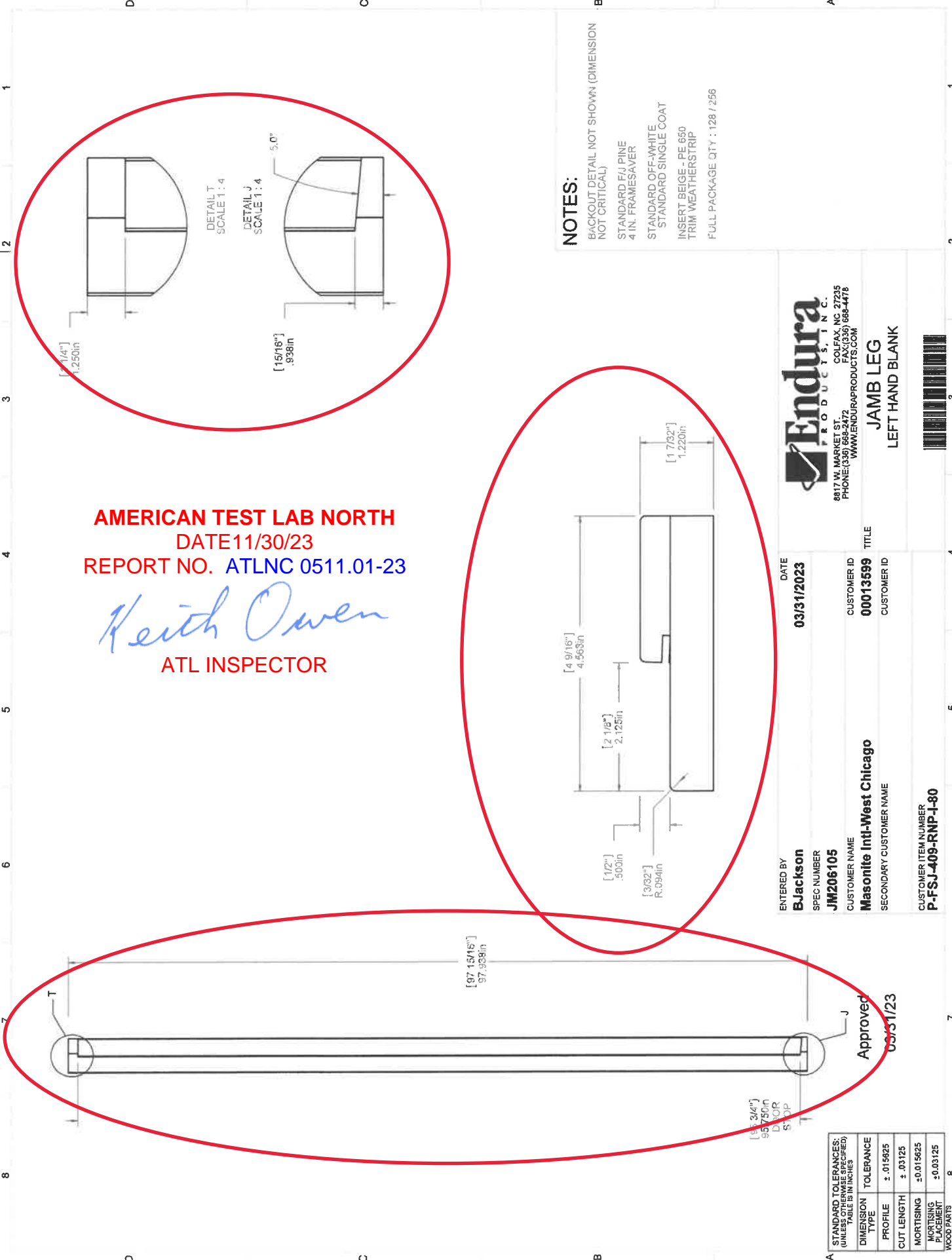
**TYPICAL THRESHOLD PROFILES**



**AMERICAN TEST LAB NORTH**  
DATE 11/30/23  
REPORT NO. ATLNC 0511.01-23

© 2017 - Rev. 050217  
Our Continuing program of product improvement makes specifications, design and product detail subject to change without notice.

*Keith Owen*  
ATL INSPECTOR



AMERICAN TEST LAB NORTH  
 DATE 11/30/23  
 REPORT NO. ATLNC 0511.01-23

*Keith Owen*  
 ATL INSPECTOR

**NOTES:**

- BACKOUT DETAIL NOT SHOWN (DIMENSION NOT CRITICAL)
- STANDARD F4/PINE
- 4 IN. FRAMESAVER
- STANDARD OFF-WHITE
- STANDARD SINGLE COAT
- INSERT BEIGE - PE 650
- TRIM WEATHERSTRIP
- FULL PACKAGE QTY : 128 / 256



6817 W. MARKET ST.  
 COLFAX, NC 27235  
 PHONE: (336) 668-2472  
 FAX: (336) 668-4478  
 WWW.ENDURAPRODUCTS.COM

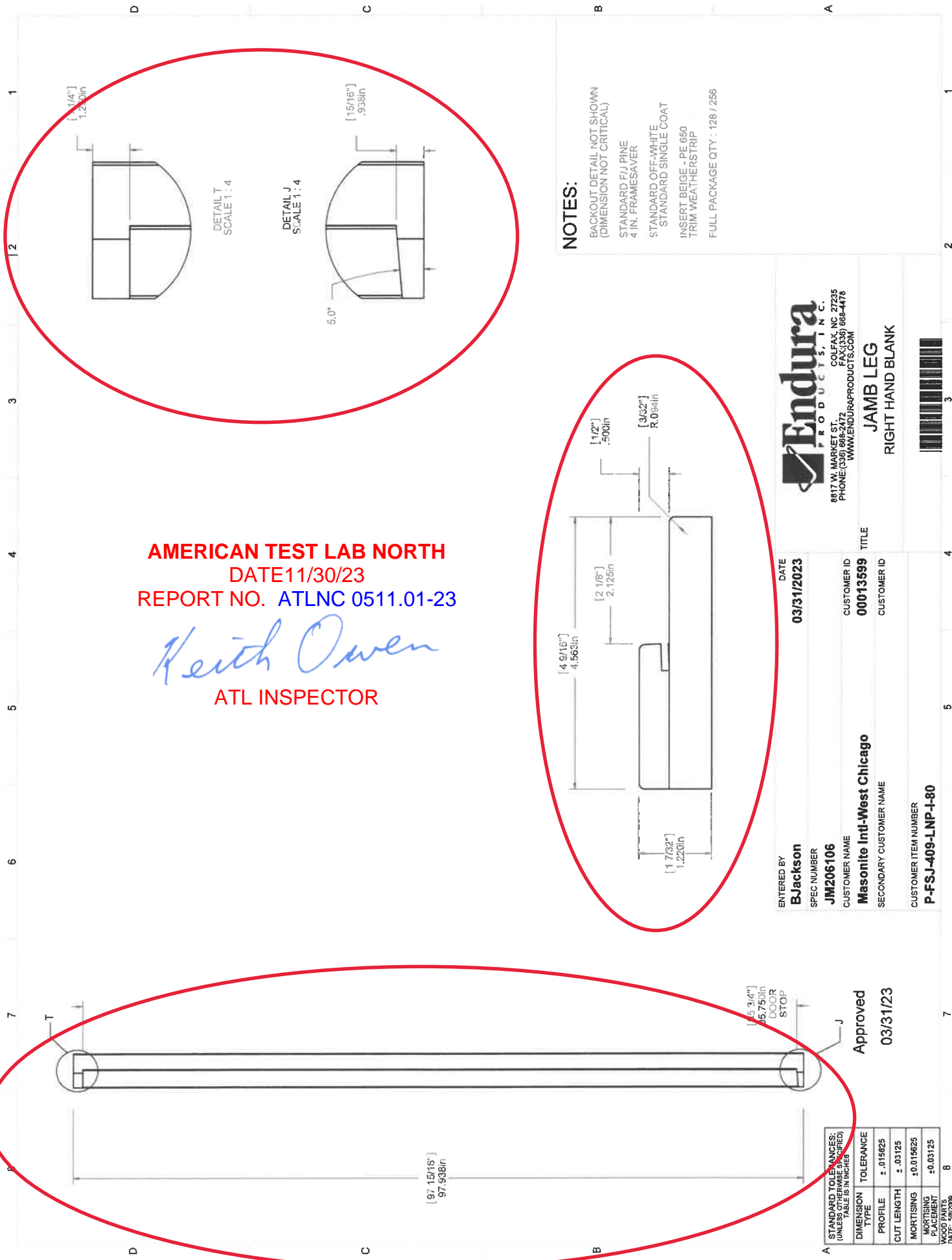
**JAMB LEG**  
 LEFT HAND BLANK



ENTERED BY <b>BJackson</b>	DATE <b>03/31/2023</b>
SPEC NUMBER <b>JM206105</b>	CUSTOMER ID <b>00013599</b>
CUSTOMER NAME <b>Mas onite Intl-West Chicago</b>	TITLE <b>LEFT HAND BLANK</b>
SECONDARY CUSTOMER NAME	CUSTOMER ID
CUSTOMER ITEM NUMBER <b>P-FJ-409-RNP-J-80</b>	

STANDARD TOLERANCES: (UNLESS OTHERWISE SPECIFIED)	
DIMENSION TYPE	TOLERANCE
PROFILE	± .015625
CUT LENGTH	± .03125
MORTISING	± 0.015625
MORTISING PLACEMENT	± 0.03125

Approved  
 03/31/23



**AMERICAN TEST LAB NORTH**  
 DATE 11/30/23  
 REPORT NO. ATLNC 0511.01-23  
*Keith Owen*  
 ATL INSPECTOR

**NOTES:**

- BACKOUT DETAIL NOT SHOWN (DIMENSION NOT CRITICAL)
- STANDARD FJ PINE 4 IN. FRAMESAVER
- STANDARD OFF-WHITE STANDARD SINGLE COAT
- INSERT BEIGE - PE 660 TRIM WEATHERSTRIP
- FULL PACKAGE QTY : 128 / 256



**JAMB LEG**  
 RIGHT HAND BLANK



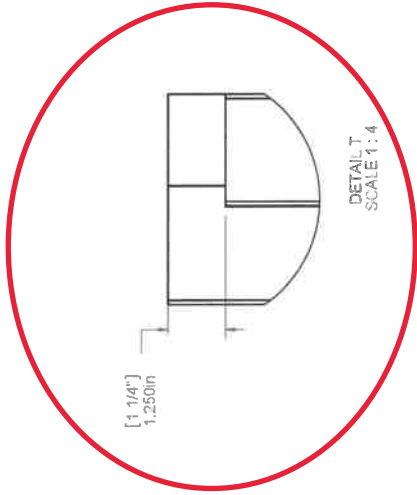
ENTERED BY	DATE
<b>BJackson</b>	<b>03/31/2023</b>
SPEC NUMBER	CUSTOMER ID
<b>JM206106</b>	<b>00013599</b>
CUSTOMER NAME	TITLE
<b>Masonite Intl-West Chicago</b>	
SECONDARY CUSTOMER NAME	CUSTOMER ID
CUSTOMER ITEM NUMBER	
<b>P-FSJ-409-LNP-1-80</b>	

STANDARD TOLERANCES: (UNLESS OTHERWISE SPECIFIED)	
DIMENSION TYPE	TOLERANCE
PROFILE	± .015625
CUT LENGTH	± .03125
MORTISING	± 0.015625
MORTISING PLACEMENT	± 0.03125

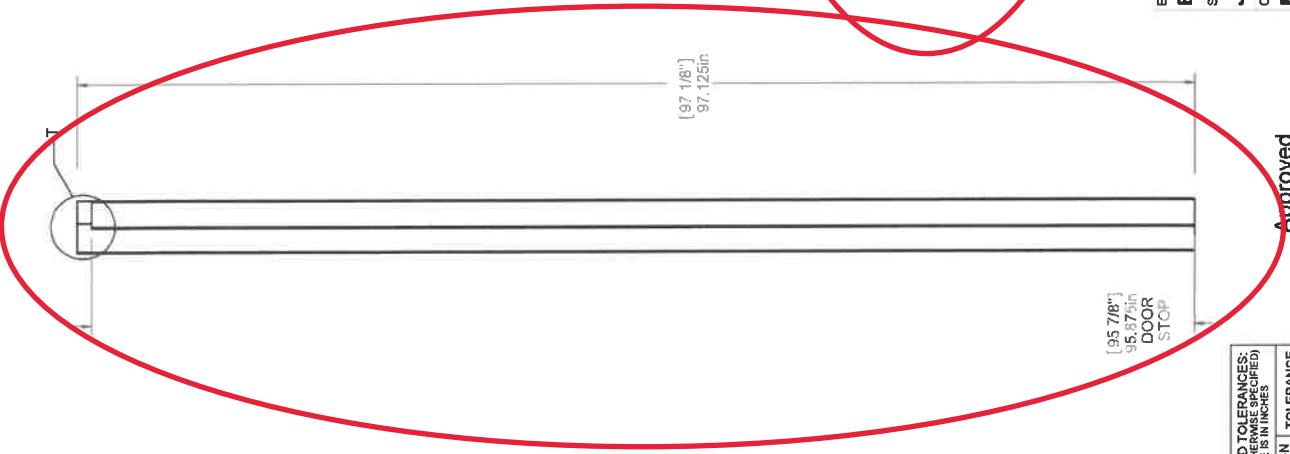
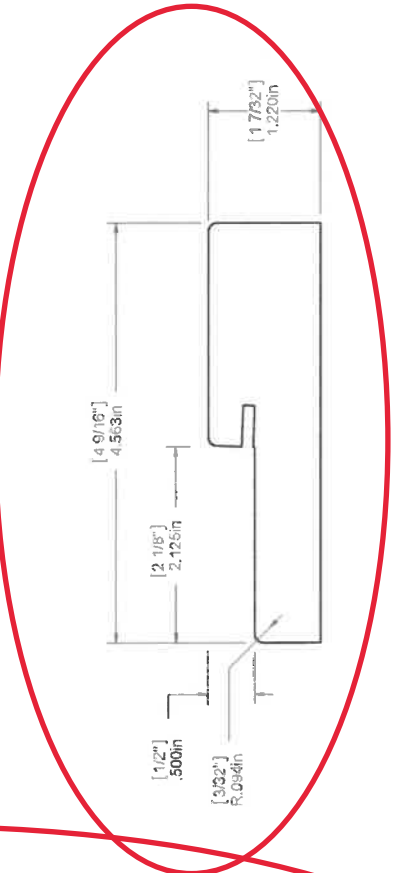
Approved  
 03/31/23

AMERICAN TEST LAB NORTH  
 DATE 11/30/23  
 REPORT NO. ATLNC 0511.01-23

*Keith Owen*  
 ATL INSPECTOR



**NOTES:**  
 BACKOUT DETAIL NOT SHOWN (DIMENSION NOT CRITICAL)  
 STANDARD F4J PINE  
 4 IN. FRAMESAVER  
 STANDARD OFF-WHITE  
 STANDARD SINGLE COAT  
 INSERT BEIGE - PE 650  
 TRIM WEATHERSTRIP  
 FULL PACKAGE QTY : 128 / 256



**Endura**  
 PRODUCTS, I N C.  
 8817 W. MARKET ST.  
 PHONE: (336) 688-4477  
 WWW.ENDURAPRODUCTS.COM

**JAMB LEG**  
 LEFT HAND BLANK

ENTERED BY <b>BJackson</b>	DATE <b>03/31/2023</b>
SPEC NUMBER <b>JM206110</b>	CUSTOMER ID <b>00013599</b>
CUSTOMER NAME <b>Masonite Intl-West Chicago</b>	TITLE <b>JAMB LEG</b>
SECONDARY CUSTOMER NAME	CUSTOMER ID
CUSTOMER ITEM NUMBER <b>P-FJ-409-RNP-O-80</b>	

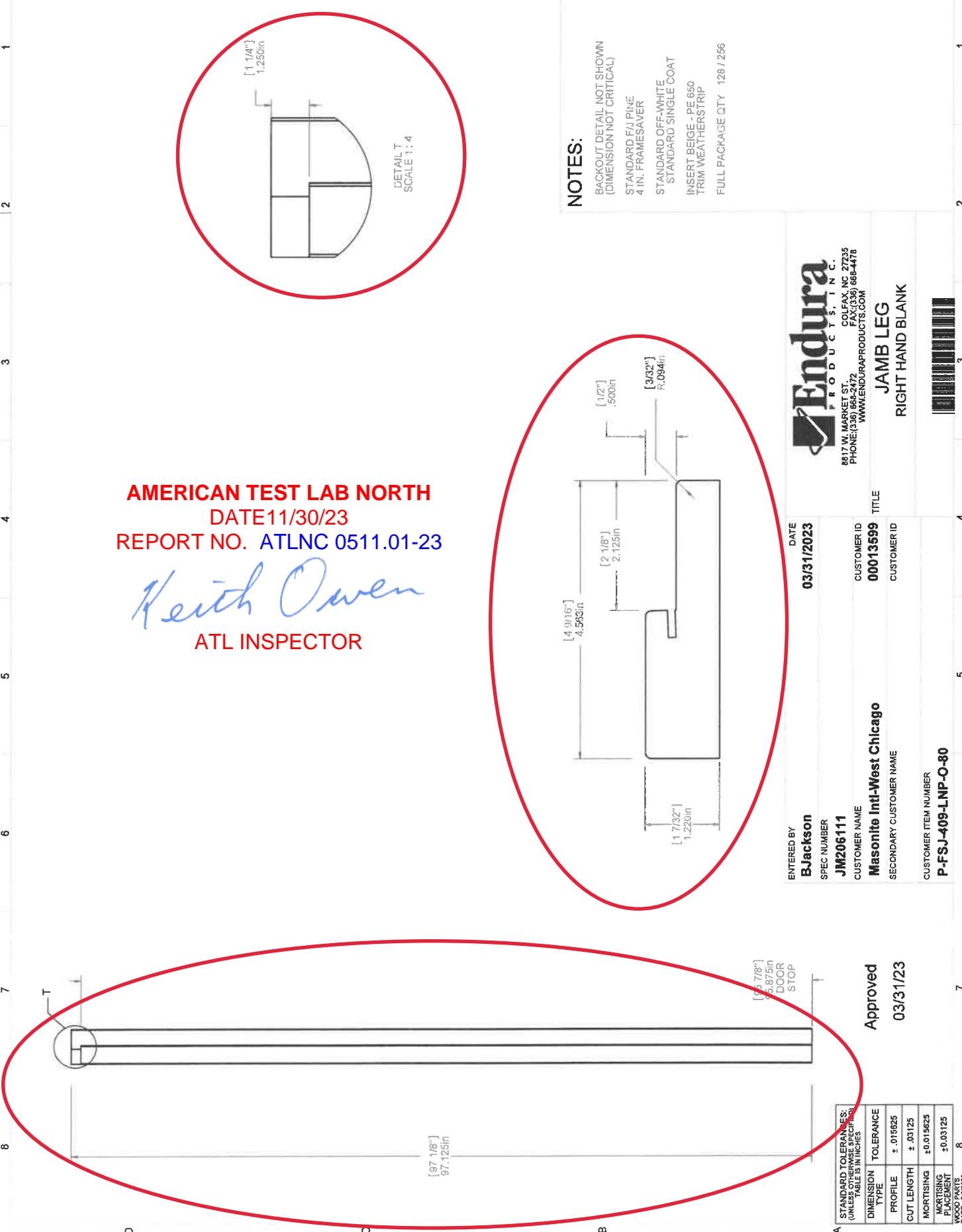
STANDARD TOLERANCES: (UNLESS OTHERWISE SPECIFIED)	
DIMENSION TYPE	TOLERANCE
PROFILE	± .015625
CUT LENGTH	± .03125
MORTISING	± 0.015625
MORTISING PLACEMENT	± 0.03125

WORK DATE: 5/6/2026

Approved  
 03/31/23

AMERICAN TEST LAB NORTH  
 DATE 11/30/23  
 REPORT NO. ATLNC 0511.01-23

*Keith Owen*  
 ATL INSPECTOR



**NOTES:**

- BACKOUT DETAIL NOT SHOWN (DIMENSION NOT CRITICAL)
- STANDARD F/I PINE 4 IN. FRAMESAVER
- STANDARD OFF-WHITE STANDARD SINGLE COAT
- INSERT BEIGE - PE 650 TRIM WEATHERSTRIP
- FULL PACKAGE QTY 128 / 256



8617 W. MARKET ST.  
 COLFAX, NC 27235  
 PHONE: (336) 568-2712  
 WWW.ENDURAPRODUCTS.COM

**JAMB LEG**  
 RIGHT HAND BLANK



ENTERED BY	DATE
<b>BJackson</b>	<b>03/31/2023</b>
SPEC NUMBER	CUSTOMER ID
<b>JM206111</b>	<b>00013599</b>
CUSTOMER NAME	TITLE
<b>Masonite Intl-West Chicago</b>	
SECONDARY CUSTOMER NAME	CUSTOMER ID
CUSTOMER ITEM NUMBER	
<b>P-FSJ-409-LNP-O-80</b>	

STANDARD TOLERANCES: (UNLESS OTHERWISE SPECIFIED)	
DIMENSION TYPE	TOLERANCE
PROFILE	± .015625
CUT LENGTH	± .03125
MORTISING	± 0.015625
MORTISING DEPTH	± 0.03125

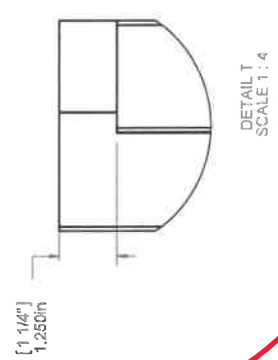
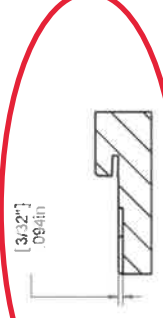
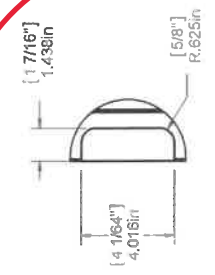
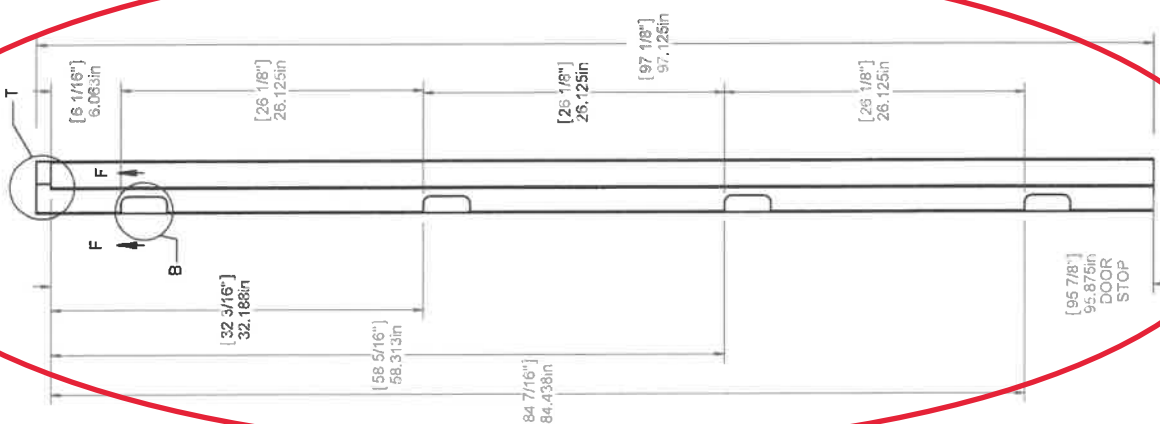
Approved  
 03/31/23



Keith Owen

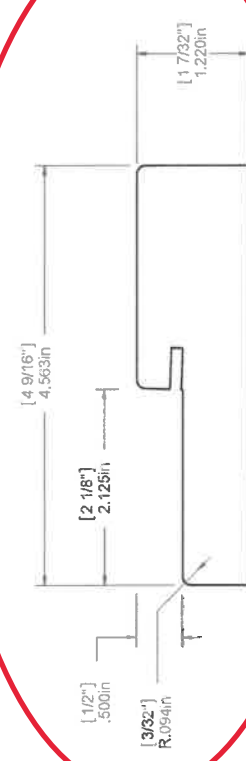
ATL INSPECTOR

2  
3  
4  
5  
6  
7  
8



**NOTES:**

- BACKOUT DETAIL NOT SHOWN (DIMENSION NOT CRITICAL)
- STANDARD FULL PINE 4 IN. FRAMESAVER
- STANDARD OFF-WHITE STANDARD SINGLE COAT
- HINGE BACKSET PIN - 0.9375
- HINGE 1 TO 2 CENTER PIN - 5.875
- HINGE 2 TO 3 CENTER PIN - 5.875
- HINGE 3 TO 4 CENTER PIN - 5.875
- INSERT BEIGE - PE 650 TRIM WEATHERSTRIP
- FULL PACKAGE QTY 128 / 256



STANDARD TOLERANCES: (UNLESS OTHERWISE SPECIFIED)	TOLERANCE
DIMENSION TYPE	
PROFILE	± .015625
CUT LENGTH	± .03125
MORTISING	± 0.015625
MORTISING PLACEMENT	± 0.03125

Approved  
03/31/23

ENTERED BY **BJackson** DATE **03/31/2023**

SPEC NUMBER **JM206120** CUSTOMER ID **00013599**

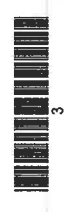
CUSTOMER NAME **Masonite Intl-West Chicago** TITLE

SECONDARY CUSTOMER NAME CUSTOMER ID

CUSTOMER ITEM NUMBER **P-FSJ-409-RHP-O-80**

**Endura** PRODUCTS, I N C.  
8817 W. MARKET ST. COLFAX, NC 27235  
PHONE: (336) 689-2472 FAX: (336) 688-4478  
WWW.ENDURAPRODUCTS.COM

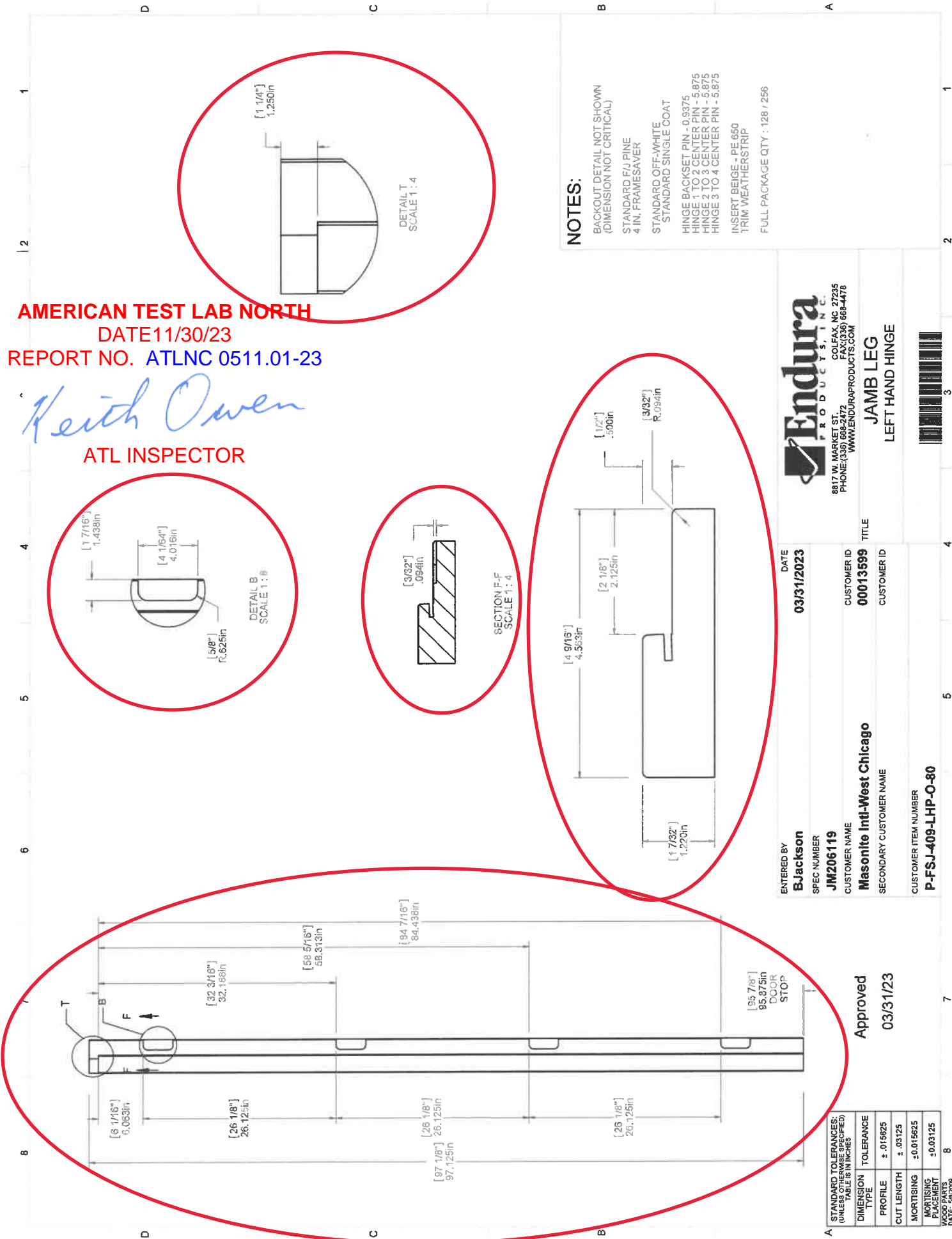
**JAMB LEG**  
**RIGHT HAND HINGE**



1  
2  
3  
4  
5  
6  
7  
8

**AMERICAN TEST LAB NORTH**  
**DATE 11/30/23**  
**REPORT NO. ATLNC 0511.01-23**

*Keith Owen*  
**ATL INSPECTOR**



**NOTES:**

- BACKOUT DETAIL NOT SHOWN (DIMENSION NOT CRITICAL)
- STANDARD: J/J PINE 4 IN. FRAMESAVER
- STANDARD: OFF-WHITE STANDARD SINGLE COAT
- HINGE BACKSET PIN - 0.9375
- HINGE 1 TO 2 CENTER PIN - 5.875
- HINGE 2 TO 3 CENTER PIN - 5.875
- HINGE 3 TO 4 CENTER PIN - 5.875
- INSERT BEIGE - PE 650 TRIM WEATHERSTRIP
- FULL PACKAGE QTY : 128 / 256



8817 W. MARKET ST. COLFAX, NC 27235  
 PHONE: (336) 668-2472 FAX: (336) 668-4478  
 WWW.ENDURAPRODUCTS.COM

**JAMB LEG**  
**LEFT HAND HINGE**



ENTERED BY	DATE
<b>BJackson</b>	<b>03/31/2023</b>
SPEC NUMBER	CUSTOMER ID
<b>JM206119</b>	<b>00013599</b>
CUSTOMER NAME	TITLE
<b>Masonite Intl-West Chicago</b>	<b>JAMB LEG</b>
SECONDARY CUSTOMER NAME	CUSTOMER ID
CUSTOMER ITEM NUMBER	
<b>P-FS-J-409-LHP-O-80</b>	

STANDARD TOLERANCES:	
(UNLESS OTHERWISE SPECIFIED)	
DIMENSION TYPE	TOLERANCE
PROFILE	± .015625
CUT LENGTH	± .03125
MORTISING	± 0.015625
MORTISING PLACEMENT	± 0.03125

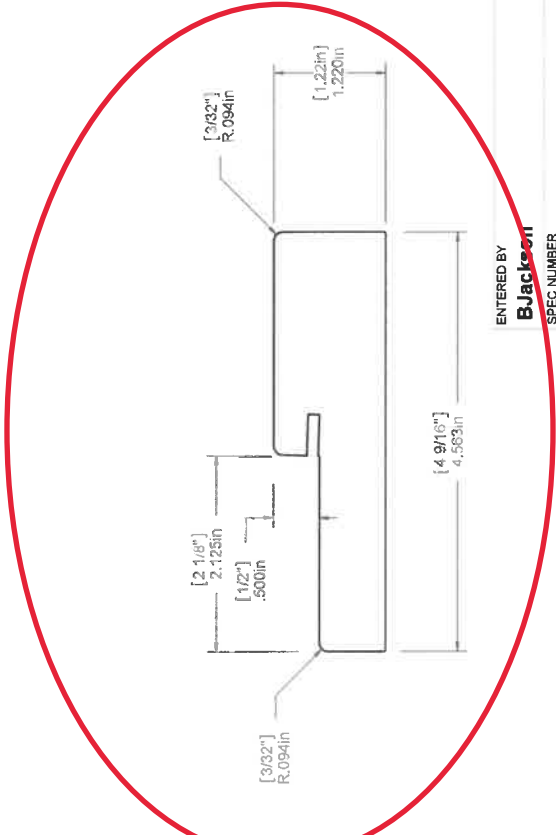
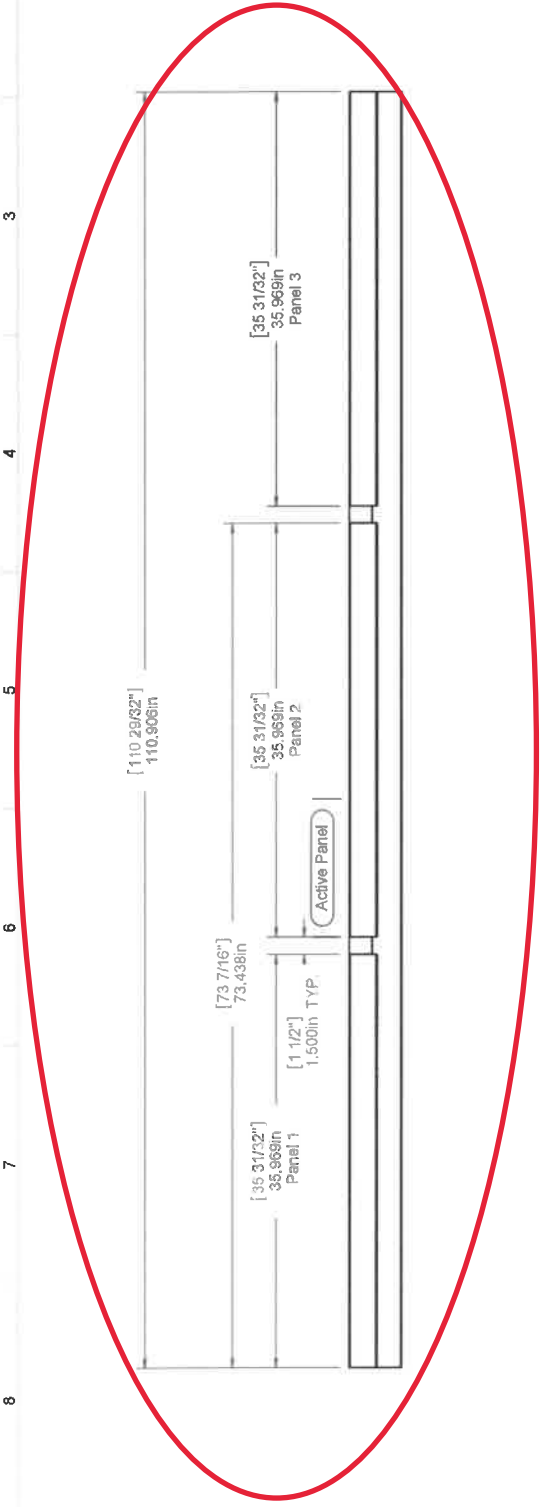
**Approved**  
**03/31/23**

**AMERICAN TEST LAB NORTH**  
 DATE 11/30/23  
 REPORT NO. ATLNC 0511.01-23

*Keith Owen*  
 ATL INSPECTOR

**NOTES:**

- BACKOUT DETAIL NOT SHOWN (DIMENSION NOT CRITICAL)
- STANDARD F/J PINE
- STANDARD OFF-WHITE STANDARD SINGLE COAT
- INSERT BEIGE - PE 660 INSERT INTO PANEL 2 TRIM WEATHERSTRIP
- FULL PACKAGE QTY : 128 / 256



8817 W. MARKET ST.  
 COLFAX, NC 27235  
 PHONE: (336) 668-2472  
 FAX: (336) 668-4478  
 WWW.ENDURAPRODUCTS.COM

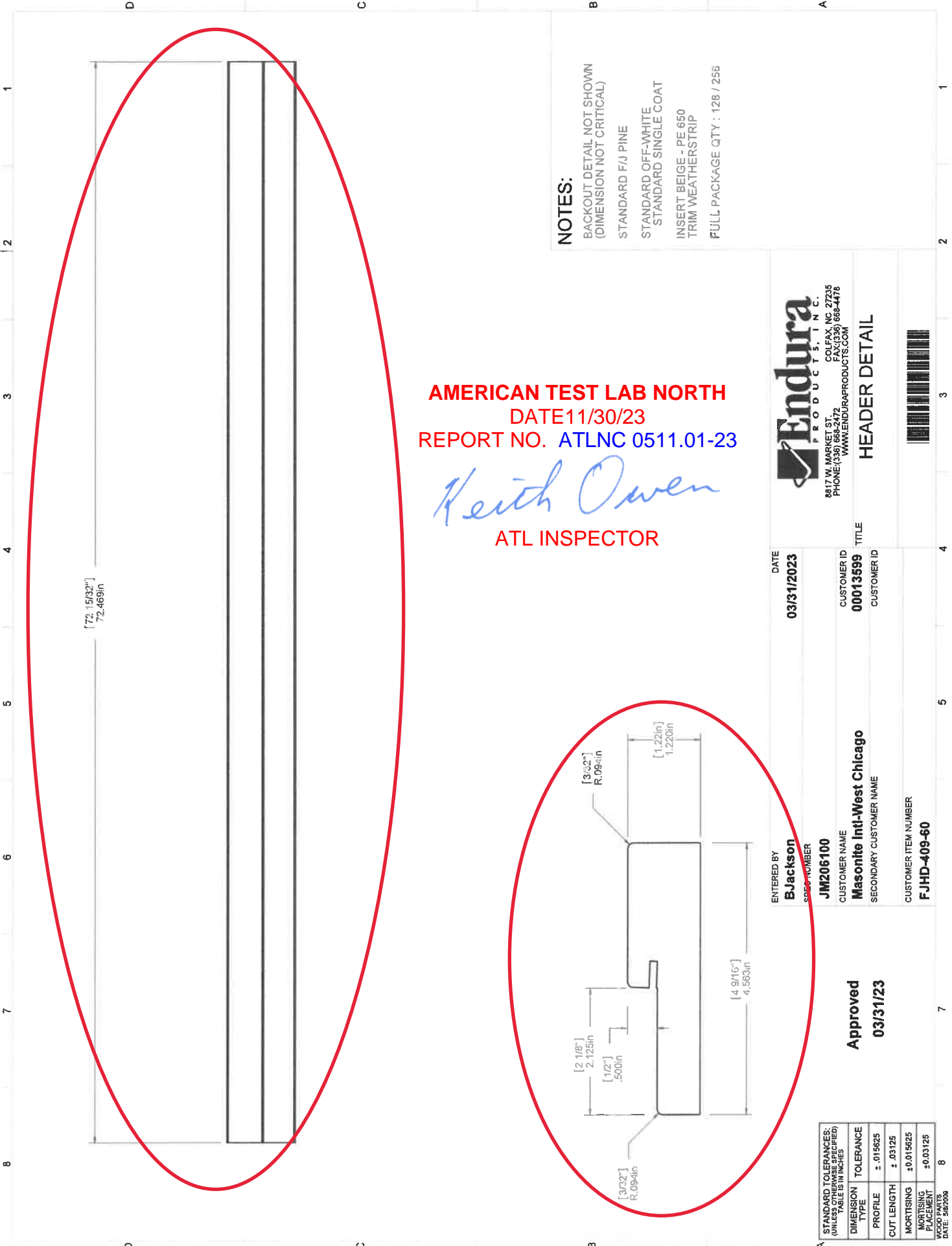
**HEADER DETAIL**



ENTERED BY	<b>BJackson</b>	DATE	<b>03/31/2023</b>
SPEC NUMBER	<b>JM206151</b>	CUSTOMER ID	<b>00013599</b>
CUSTOMER NAME	<b>Masonite Intl-West Chicago</b>	TITLE	<b>HEADER DETAIL</b>
SECONDARY CUSTOMER NAME		CUSTOMER ID	
CUSTOMER ITEM NUMBER	<b>FJM-409-303030</b>		

STANDARD TOLERANCES: (UNLESS OTHERWISE SPECIFIED) DIMENSIONS IN INCHES	
DIMENSION TYPE	TOLERANCE
PROFILE	± .015625
CUT LENGTH	± .03125
MORTISING	± 0.015625
MORTISING PLACEMENT	± 0.03125
DATE: 5/6/2009	

**Approved**  
 03/31/23



**NOTES:**  
 BACKOUT DETAIL NOT SHOWN  
 (DIMENSION NOT CRITICAL)  
 STANDARD F/J PINE  
 STANDARD OFF-WHITE  
 STANDARD SINGLE COAT  
 INSERT, BEIGE - PE 650  
 TRIM WEATHERSTRIP  
 FULL PACKAGE QTY : 128 / 256

**AMERICAN TEST LAB NORTH**  
 DATE 11/30/23  
 REPORT NO. ATLNC 0511.01-23

*Keith Owen*  
 ATL INSPECTOR



8817 W. MARKET ST.  
 COLFAX, NC 27235  
 PHONE: (336) 669-2472  
 FAX: (336) 668-4478  
 WWW.ENDURAPRODUCTS.COM

HEADER DETAIL



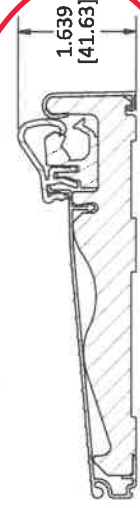
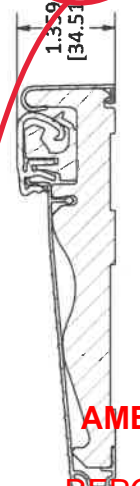
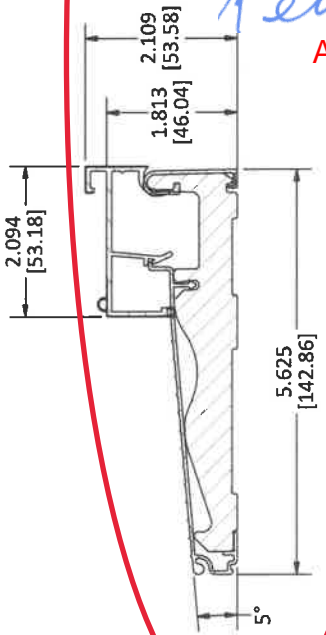
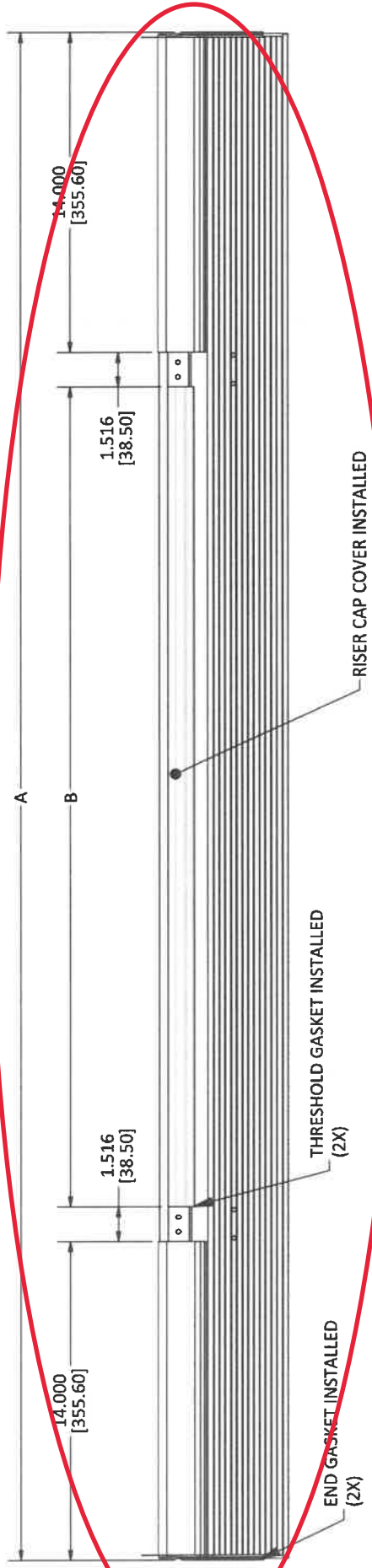
ENTERED BY <b>BJackson</b>	DATE <b>03/31/2023</b>	CUSTOMER ID <b>00013599</b>	TITLE <b>HEADER DETAIL</b>
SPEC NUMBER <b>JM206100</b>	CUSTOMER NAME <b>Masonite Intl-West Chicago</b>	CUSTOMER ID <b>00013599</b>	CUSTOMER ID
CUSTOMER NAME <b>Masonite Intl-West Chicago</b>	SECONDARY CUSTOMER NAME	CUSTOMER ID	CUSTOMER ID
CUSTOMER ITEM NUMBER <b>FJHD-409-60</b>			

**Approved**  
**03/31/23**

STANDARD TOLERANCES: (UNLESS OTHERWISE SPECIFIED) TABLE IS IN INCHES	
DIMENSION TYPE	TOLERANCE
PROFILE	± .015625
CUT LENGTH	± .03125
MORTISING	± 0.015625
MORTISING PLACEMENT	± 0.03125
DATE: 3/31/2023	8

Released

REVISION HISTORY			
REV	DESCRIPTION	PCR	DATE
A	RELEASED	653/813	08/05/2021
		DRAWN BY	APPROVED
		ET	SM



**AMERICAN TEST LAB NORTH**  
 DATE 11/30/23  
 REPORT NO. ATLNC 051101-23

*Keith Owen*

**ATL INSPECTOR**

**NOTE:**

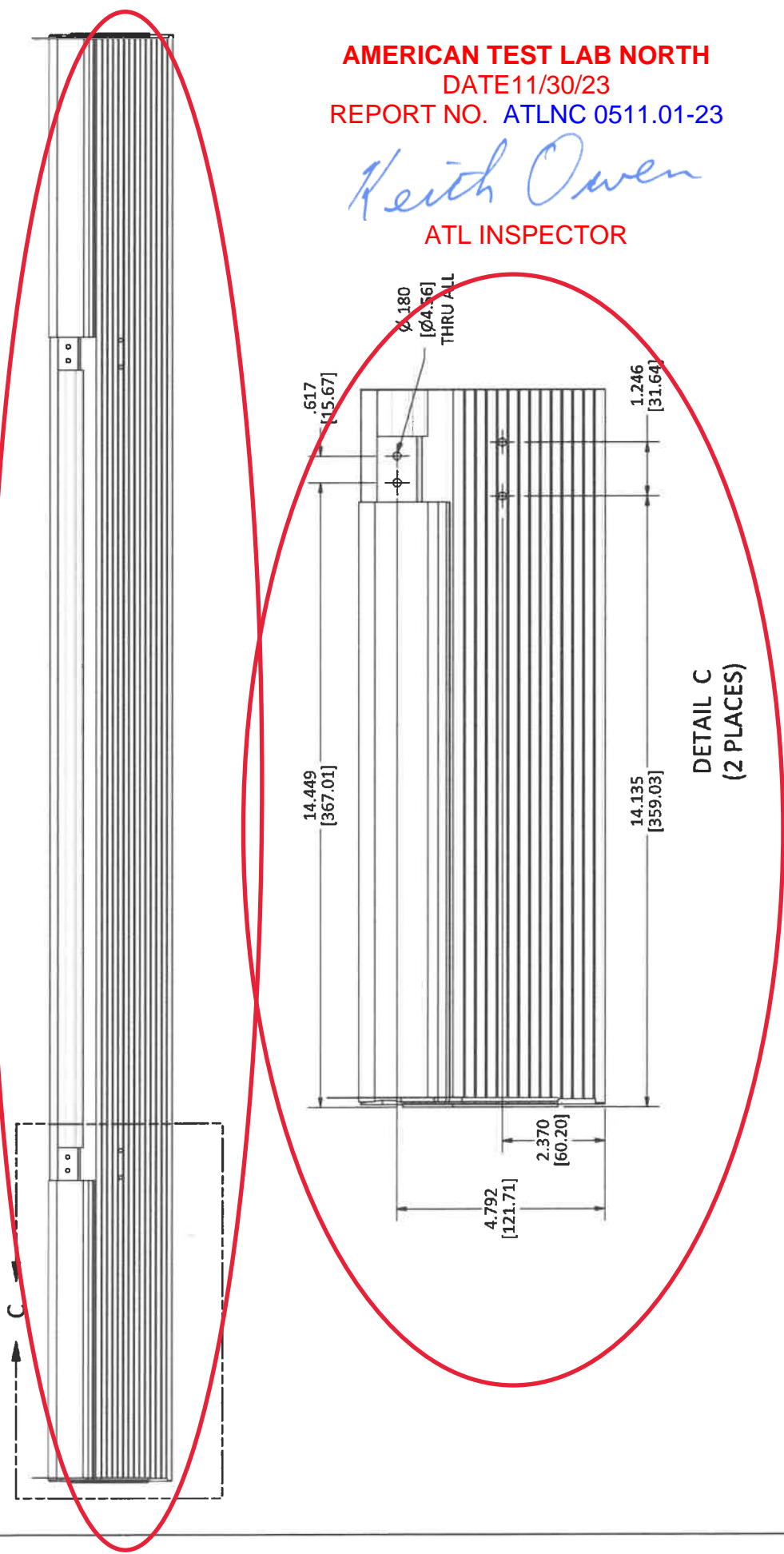
1. SILL TO HAVE LINEAL SUBSTRATE FOR ABILITY TO CUT DOWN
2. DIMENSIONS IN BRACKETS [XX] INDICATE METRIC mm DIMENS
3. SYMBOL Ⓞ INDICATES CRITICAL DIMENSION

TITLE		5-5/8" CONTINUOUS ARTICULATING SILL WITH SUBSTRATE	
ORIGINAL PCR	REVISION	A	
SCALE	SHEET	653/813	1 OF 3
TOLERANCES UNLESS OTHERWISE NOTED ARE:	FRACTION	± 1/32"	EVT
	DECIMAL	± .031"	DATE
	ANGLE	± 1°	2/10/2021
DRAWING			
DRAWING NO. C2031231			



CONFIDENTIAL PROPERTY OF MASONITE PRINTED DRAWING MAY NOT REPRODUCE

Released



AMERICAN TEST LAB NORTH  
 DATE 11/30/23  
 REPORT NO. ATLNC 0511.01-23

*Keith Owen*  
 ATL INSPECTOR

DETAIL C  
 (2 PLACES)

ORIGINAL PER REVISION		A	
653/813	SHEET	2 OF 3	DRAWN BY
SCALE	NTS	DATE	EVT
	B	2/10/2021	
TOLERANCES UNLESS OTHERWISE NOTED ARE:		FRACTION $\pm 1/32"$ DECIMAL $\pm .031"$ ANGLE $\pm 1'$	
DRAWING			
MASONITE		DRAWING	
TITLE		5-5/8" CONTINUOUS ARTICULATING SILL WITH SUBSTRATE	
TOLERANCES UNLESS OTHERWISE NOTED ARE: FRACTION $\pm 1/32"$ DECIMAL $\pm .031"$ ANGLE $\pm 1'$			
DRAWING DESIGN AND OTHER DISCLOSURES ARE THE PROPERTY OF MASONITE DOOR CORPORATION. UNAUTHORIZED USE, MANUFACTURE OR REPRODUCTION (IN WHOLE OR IN PART) IS PROHIBITED.			
MASONITE		C2031231	

- NOTE:
1. DIMENSIONS IN BRACKETS [XX] INDICATE METRIC mm DIMENSIONS.
  2. SYMBOL Ⓞ INDICATES CRITICAL DIMENSION.

CONFIDENTIAL PROPERTY OF MASONITE PRINTED DRAWING MAY NOT BE MOST RECENT VERSION


**AMERICAN TEST LAB NORTH**  
 DATE 11/30/23  
 REPORT NO. ATLNC 0511.01-23

*Keith Owen*

**ATL INSPECTOR**

Part Number	Description	A	B
232273019.00	1/2-2/8-1/2 X 5-5/8 I/S BLACK CAP ARTICULATING SILL MILL FINISH W/SUB	63.000 [1600.20]	31.969 [812.01]
232273020.00	1/2-3/0-1/2 X 5-5/8 I/S BLACK CAP ARTICULATING SILL MILL FINISH W/SUB	67.000 [1701.80]	35.969 [913.61]
232283019.00	1/2-2/8-1/2 X 5-5/8 I/S BLACK CAP ARTICULATING SILL BRONZE FINISH W/SUB	63.000 [1600.20]	31.969 [812.01]
232283020.00	1/2-3/0-1/2 X 5-5/8 I/S BLACK CAP ARTICULATING SILL BRONZE FINISH W/SUB	67.000 [1701.80]	35.969 [913.61]

**NOTE:**  
 1. DIMENSIONS IN BRACKETS [XX] INDICATE METRIC mm DIMENSIONS.  
 2. SYMBOL Ⓢ INDICATES CRITICAL DIMENSION.

TITLE 5-5/8" CONTINUOUS ARTICULATING SILL WITH SUBSTRATE		ORIGINAL PER REVISION	A
 <b>MASONITE</b> TOLERANCES UNLESS OTHERWISE NOTED ARE: FRACTION ± 1/32" DECIMAL ± .031" ANGLE ± 1° DRAWING DESIGN AND OTHER DISCLOSURES ARE THE PROPERTY OF MASONITE DOOR CORPORATION. UNAUTHORIZED USE, MANUFACTURE OR REPRODUCTION (IN WHOLE OR IN PART) IS PROHIBITED.		SCALE	NTS
		SHEET	3 OF 3
		DRAWN BY	EVT
		SHEET SIZE	B
		DATE	2/10/2021
		DRAWING	C2031231

CONFIDENTIAL PROPERTY OF MASONITE PRINTED DRAWING MAY NOT BE MOST RECENT VERSION

Released

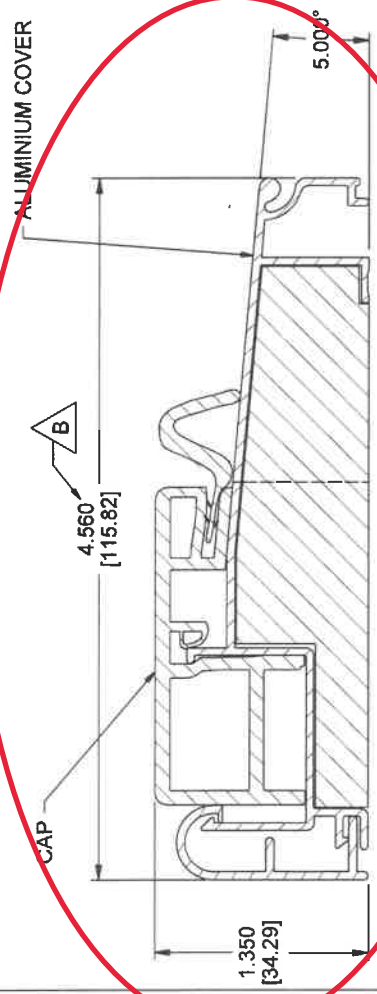
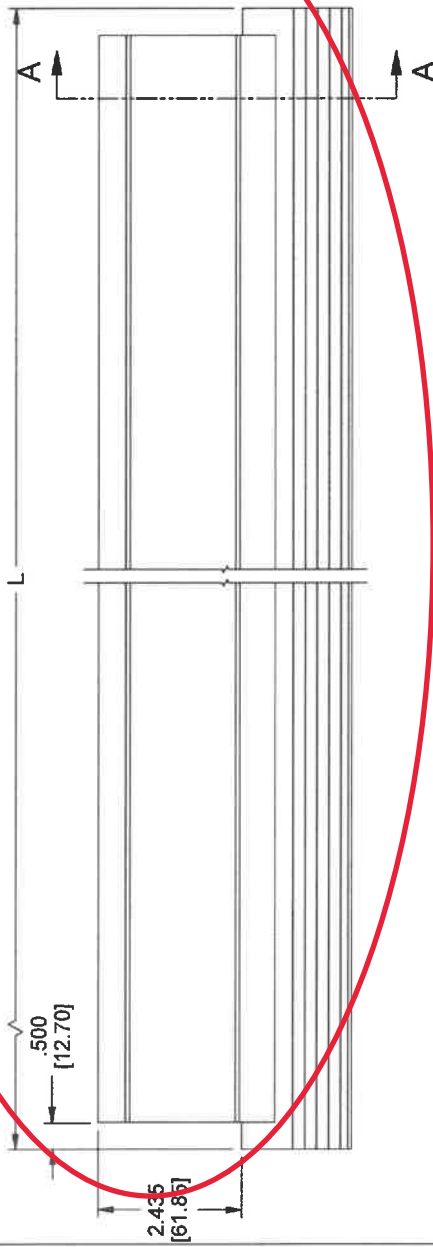
Released

REVISION HISTORY

REV	DESCRIPTION	PCR	DRW BY	DATE	CHK BY
A	OVERALL WIDTH DIM REVISED, SILL NAME CHANGED TO Z-SERIES	9769	EVT	03/09/18	BK
B		591	EVT	11/08/19	BK

AMERICAN TEST LAB NORTH  
 DATE 11/30/23  
 REPORT NO. ATLNC 0511-01-23

*Keith Owen*  
 ATL INSPECTOR



PART #	SIZE	DIM. L	ALUMIN	DESCRIPTION
23161526.000	2/6	30.000 [762.00]	ALUMIN	2/6 X 4-9/16 Z SILL
23162526.000	2/6	30.000 [762.00]	BR	2/6 X 4-9/16 Z SILL
23163526.000	2/6	30.000 [762.00]	BR	2/6 X 4-9/16 Z SILL
23164526.000	2/6	30.000 [762.00]	BRONZE & BLACK	2/6 X 4-9/16 Z SILL
23165128.000	2/8	32.000 [812.80]	MILL & WOODGRAIN	2/8 X 4-9/16 Z SILL
23165228.000	2/8	32.000 [812.80]	BRONZE & WOODGRAIN	2/8 X 4-9/16 Z SILL
23165328.000	2/8	32.000 [812.80]	MILL & BLACK	2/8 X 4-9/16 Z SILL
23164528.000	2/8	32.000 [812.80]	BRONZE BLACK	2/8 X 4-9/16 Z SILL
23161530.000	3/0	36.000 [914.40]	MILL & WOODGRAIN	3/0 X 4-9/16 Z SILL
23162530.000	3/0	36.000 [914.40]	BRONZE & WOODGRAIN	3/0 X 4-9/16 Z SILL
23163530.000	3/0	36.000 [914.40]	MILL & BLACK	3/0 X 4-9/16 Z SILL
23164530.000	3/0	36.000 [914.40]	BRONZE BLACK	3/0 X 4-9/16 Z SILL
23161572.000	6/0	71.500 [1841.50]	MILL & WOODGRAIN	6/0 X 4-9/16 Z SILL
23162572.000	6/0	71.500 [1841.50]	BRONZE & WOODGRAIN	6/0 X 4-9/16 Z SILL
23163572.000	6/0	71.500 [1841.50]	MILL & BLACK	6/0 X 4-9/16 Z SILL
23164572.000	6/0	71.500 [1841.50]	BRONZE BLACK	6/0 X 4-9/16 Z SILL

NOTE:

- SUBSTRATE TO BE CONTINUOUS AND FASTENED IN PLACE. CAVITY SUBSTRATE WITH SOLID BLOCKS (MIN 3") ON ENDS IS ACCEPTABLE ON SILLS 36" AND SMALLER.
- BRONZE WEATHER-STRIP AND MATCHING SIDELITE PANELS SPACERS TO BE INSTALLED WHERE APPLICABLE.
- SYMBOL (C) INDICATES CRITICAL DIMENSION
- DIMENSIONS IN BRACKETS [XX] INDICATE METRIC DIMENSIONS

TITLE: Z-SERIES OUTSWING BUMPER SILL

ORIGINAL PCN NO.: 9769	REV: B
SCALE: NTS	DRAWN BY: EVT
SHEET SIZE: B	DATE: 01/23/18
SHEET: 1 OF 3	EVT
DRAWING NO.: C2030805	

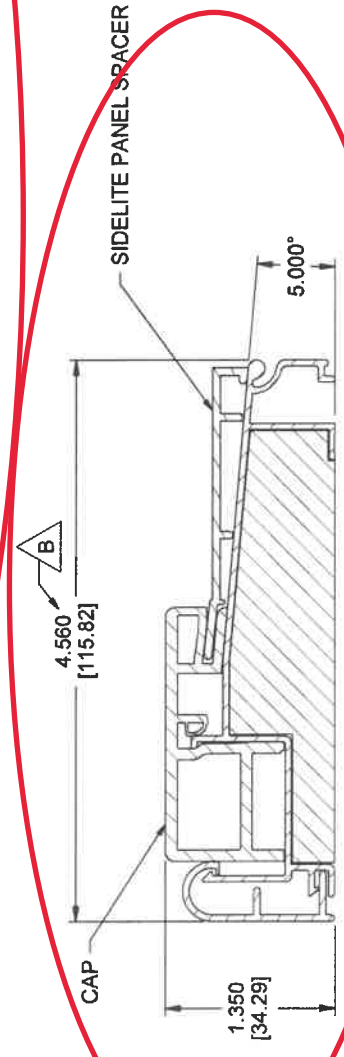
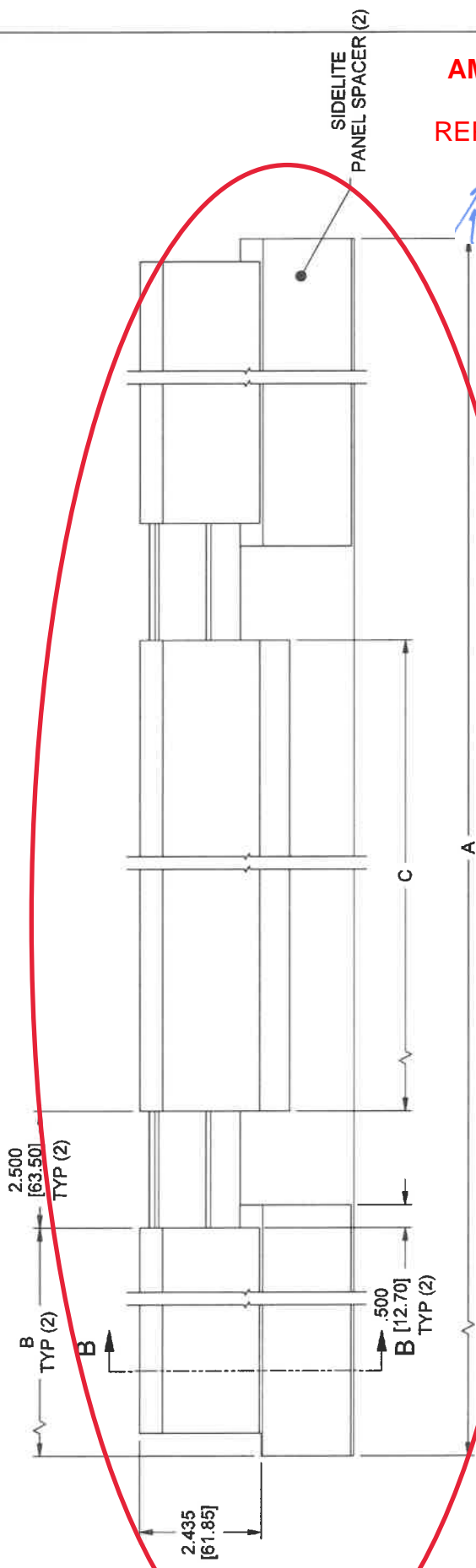


CONFIDENTIAL  
 PROPERTY OF MASONITE

IF PRINTED MAY NOT BE MOST RECENT VERSION



Released



**AMERICAN TEST LAB NORTH**  
 DATE 11/30/23  
 REPORT NO. ATLNC 0511.01-23

*Keith Owen*  
 ATL INSPECTOR

PCN NO.: 9769	SCALE: NTS	DRAWN BY: 01/23/18	EVT
SHEET NO.: B	SHEET SIZE: B	SHEET: 2	OF 3
DRAWING NO.: C2030805			

TITLE: Z-SERIES OUTSWING BUMPER SILL

TOLERANCES UNLESS OTHERWISE NOTED ARE:  
 FRACTION  $\pm 1/32"$   
 DECIMAL  $\pm .031"$   
 ANGLE  $\pm 1'$

DRAWING DESIGN AND OTHER DISCLOSURES ARE THE PROPERTY OF MASONITE DOOR CORPORATION. UNAUTHORIZED USE, MANUFACTURE OR REPRODUCTION, IN WHOLE OR IN PART, IS PROHIBITED.

**MASONITE**

CONFIDENTIAL  
 PROPERTY OF MASONITE

SECTION B B

IF PRINTED MAY NOT BE MOST RECENT VERSION

**AMERICAN TEST LAB NORTH**  
 DATE 11/30/23  
 REPORT NO. ATLNC 0511.01-23

*Keith Owen*  
 ATL INSPECTOR

PART #	DIM. A	DIM. B	DIM. C	ALUMINUM CAP & CAP FINISH	DESCRIPTION
231613023.00	59.000 [1498.60]	11.500 [292.10]	31.000 [787.40]	MILL & WOODGRAIN	1/0-2/8-1/0 X 4-9/16 Z SILL W/ SUB
231623023.00	59.000 [1498.60]	11.500 [292.10]	31.000 [787.40]	BRONZE & WOODGRAIN	1/0-2/8-1/0 X 4-9/16 Z SILL W/ SUB
231633023.00	59.000 [1498.60]	11.500 [292.10]	31.000 [787.40]	MILL & BLACK	1/0-2/8-1/0 X 4-9/16 Z SILL W/ SUB
231643023.00	59.000 [1498.60]	11.500 [292.10]	31.000 [787.40]	BRONZE & BLACK	1/0-2/8-1/0 X 4-9/16 Z SILL W/ SUB
231613014.00	63.000 [1600.20]	11.500 [292.10]	35.000 [889.00]	MILL & WOODGRAIN	1/0-3/0-1/0 X 4-9/16 Z SILL W/ SUB
231623014.00	63.000 [1600.20]	11.500 [292.10]	35.000 [889.00]	BRONZE & WOODGRAIN	1/0-3/0-1/0 X 4-9/16 Z SILL W/ SUB
231633014.00	63.000 [1600.20]	11.500 [292.10]	35.000 [889.00]	MILL & BLACK	1/0-3/0-1/0 X 4-9/16 Z SILL W/ SUB
231643014.00	63.000 [1600.20]	11.500 [292.10]	35.000 [889.00]	BRONZE & BLACK	1/0-3/0-1/0 X 4-9/16 Z SILL W/ SUB
231613019.00	63.000 [1600.20]	13.500 [342.90]	31.000 [787.40]	MILL & WOODGRAIN	1/2-2/8-1/2 X 4-9/16 Z SILL W/ SUB
231623019.00	63.000 [1600.20]	13.500 [342.90]	31.000 [787.40]	BRONZE & WOODGRAIN	1/2-2/8-1/2 X 4-9/16 Z SILL W/ SUB
231633019.00	63.000 [1600.20]	13.500 [342.90]	31.000 [787.40]	MILL & BLACK	1/2-2/8-1/2 X 4-9/16 Z SILL W/ SUB
231643019.00	63.000 [1600.20]	13.500 [342.90]	31.000 [787.40]	BRONZE & BLACK	1/2-2/8-1/2 X 4-9/16 Z SILL W/ SUB
231613020.00	67.000 [1701.80]	13.500 [342.90]	35.000 [889.00]	MILL & WOODGRAIN	1/2-3/0-1/2 X 4-9/16 Z SILL W/ SUB
231623020.00	67.000 [1701.80]	13.500 [342.90]	35.000 [889.00]	BRONZE & WOODGRAIN	1/2-3/0-1/2 X 4-9/16 Z SILL W/ SUB
231633020.00	67.000 [1701.80]	13.500 [342.90]	35.000 [889.00]	MILL & BLACK	1/2-3/0-1/2 X 4-9/16 Z SILL W/ SUB
231643020.00	67.000 [1701.80]	13.500 [342.90]	35.000 [889.00]	BRONZE & BLACK	1/2-3/0-1/2 X 4-9/16 Z SILL W/ SUB

REV: **B**

ORIGINAL PCN NO.: 9769

SCALE: NTS

SHEET SIZE: B

DRAWN BY: 01/23/18

EVT

SHEET: 3 OF 3

DRAWING NO.: C2030805

TOLERANCES UNLESS OTHERWISE NOTED ARE:  
 FRACTION ± 1/32"  
 DECIMAL ± .031"  
 ANGLE ± 1°

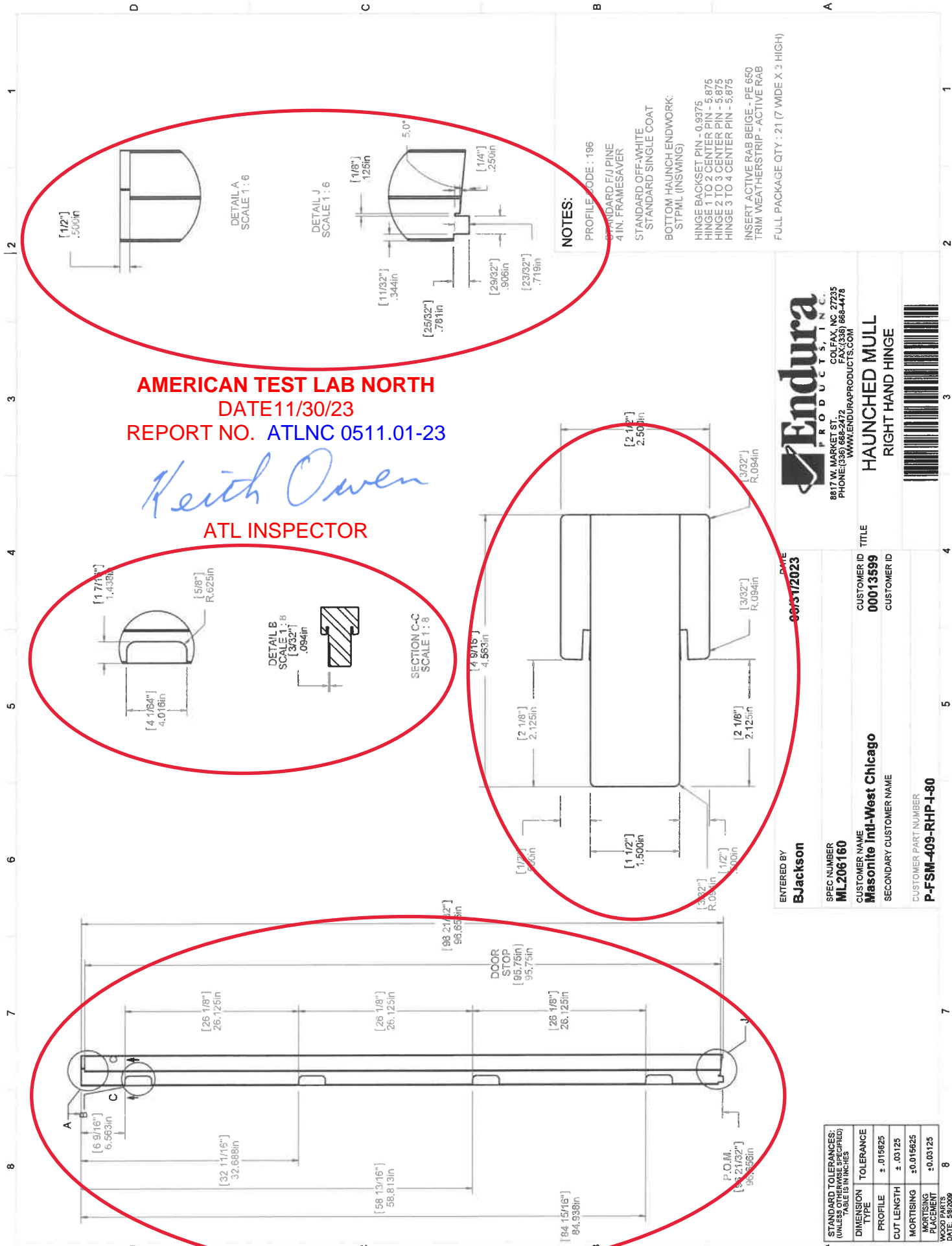
**MASONITE.**

DRAWING DESIGN AND OTHER DISCLOSURES ARE THE PROPERTY OF MASONITE DOOR CORPORATION. UNAUTHORIZED USE, MANUFACTURE OR REPRODUCTION, IN WHOLE OR IN PART, IS PROHIBITED.

TITLE: Z-SERIES OUTSWING BUMPER SILL

IF PRINTED MAY NOT BE MOST RECENT VERSION

Released



**AMERICAN TEST LAB NORTH**  
**DATE 11/30/23**  
**REPORT NO. ATLNC 0511.01-23**  
*Keith Owen*  
**ATL INSPECTOR**

**NOTES:**  
 PROFILE CODE : 196  
 STANDARD F/U PINE  
 4 IN. FRAMESAVER  
 STANDARD OFF-WHITE  
 BOTTOM HAUNCH ENDWORK:  
 STPLM (INSWING)  
 HINGE BACKSET PIN - 0.9375  
 HINGE 1 TO 2 CENTER PIN - 5.875  
 HINGE 2 TO 3 CENTER PIN - 5.875  
 HINGE 3 TO 4 CENTER PIN - 5.875  
 INSERT ACTIVE RAB BEIGE - PE 660  
 TRIM WEATHERSTRIP - ACTIVE RAB  
 FULL PACKAGE QTY : 21 (7 WIDE X 3 HIGH)



8817 W. MARKET ST.  
 COLFAX, NC 27235  
 PHONE: (336) 662-2472  
 WWW.ENDURAPRODUCTS.COM

**HAUNCHED MULL**  
**RIGHT HAND HINGE**



ENTERED BY: **Bjackson**  
 DATE: **09/01/2023**

SPEC NUMBER: **ML206160**

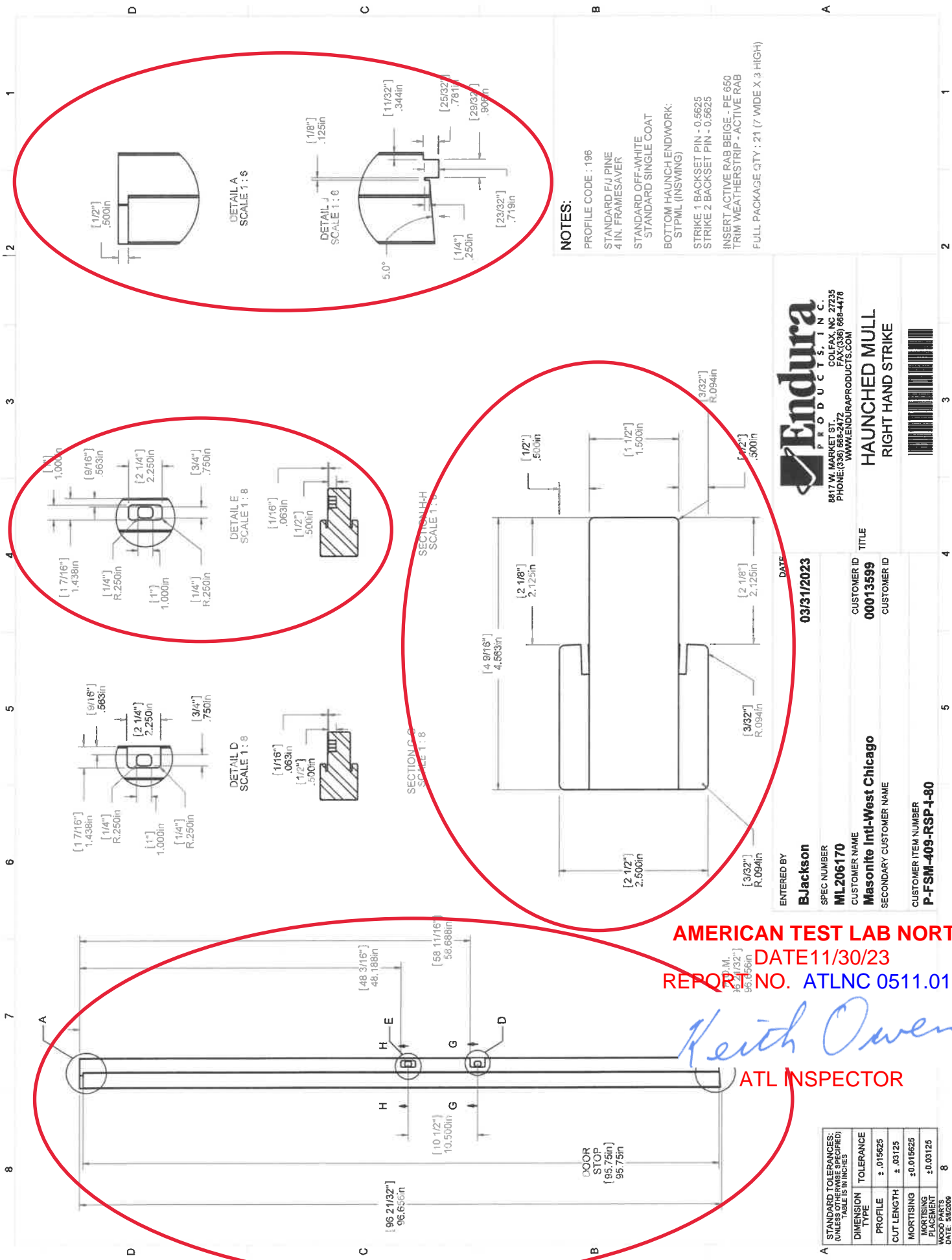
CUSTOMER NAME: **Masonite Int'l-West Chicago**

SECONDARY CUSTOMER NAME:

CUSTOMER PART NUMBER: **P-FSM-409-RHP-I-80**

STANDARD TOLERANCES: (UNLESS OTHERWISE SPECIFIED)	
DIMENSION TYPE	TOLERANCE
PROFILE	± .015625
CUT LENGTH	± .03125
MORTISING	± 0.015625
MORTISING PLACEMENT	± 0.03125

DATE: 5/6/2009



**NOTES:**

- PROFILE CODE : 196
- STANDARD F/I PINE
- 4 IN. FRAMESAVER
- STANDARD OFF-WHITE
- STANDARD SINGLE COAT
- BOTTOM HAUNCH ENDWORK: STPML (INSWING)
- STRIKE 1 BACKSET PIN - 0.5625
- STRIKE 2 BACKSET PIN - 0.5625
- INSERT ACTIVE RAB BEIGE - PE 650
- TRIM WEATHERSTRIP - ACTIVE RAB
- FULL PACKAGE QTY : 21 (7" WIDE X 3" HIGH)



8817 W. MARKET ST.  
 COLFAX, NC 27235  
 PHONE: (336) 668-4478  
 WWW.ENDURAPRODUCTS.COM

**HAUNCHED MULL**  
**RIGHT HAND STRIKE**



ENTERED BY: **Bjackson**  
 DATE: **03/31/2023**

SPEC NUMBER: **ML206170**  
 CUSTOMER NAME: **Masonite Intl-West Chicago**

CUSTOMER ID: **00013599**  
 SECONDARY CUSTOMER NAME:

CUSTOMER ITEM NUMBER: **P-FSM-409-RSP-4-80**

**AMERICAN TEST LAB NORTH**  
 DATE 11/30/23  
 REPORT NO. ATLNC 0511.01-23

*Keith Owen*

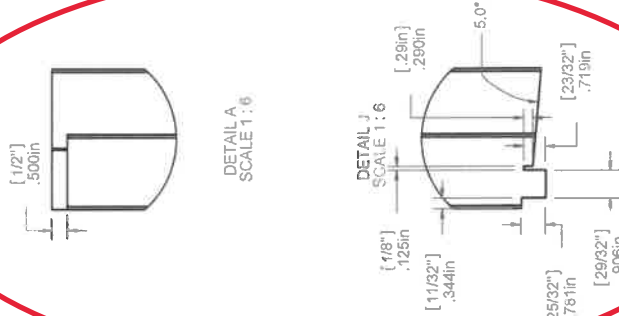
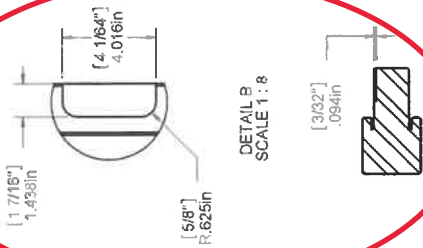
**ATL INSPECTOR**

STANDARD TOLERANCES: (UNLESS OTHERWISE SPECIFIED, TABLE IS IN INCHES)	
DIMENSION TYPE	TOLERANCE
PROFILE	± .015625
CUT LENGTH	± .03125
MORTISING	± 0.015625
WORKING DIMENSION	± 0.03125
WOOD PARTS	± 0.03125

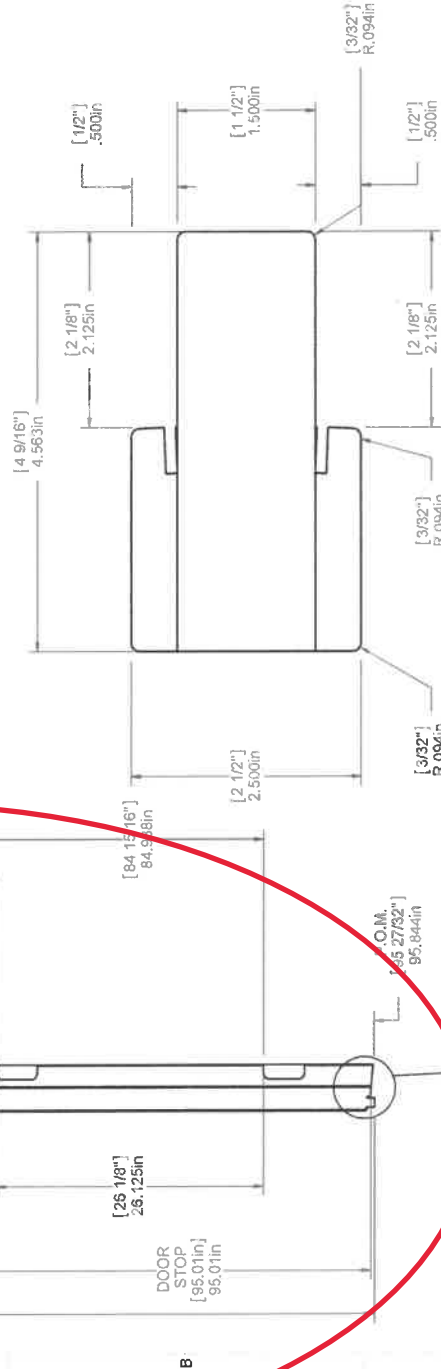
DATE: 5/6/2006

**AMERICAN TEST LAB NORTH**  
**DATE 11/30/23**  
**REPORT NO. ATLNC 0511.01-23**

*Keith Owen*  
**ATL INSPECTOR**



**SECTION C-C**  
**SCALE 1:8**



**NOTES:**

- PROFILE CODE : 196
- STANDARD F/U PINE
- 4 IN. FRAMESAVER
- STANDARD OFF-WHITE
- STANDARD SINGLE COAT
- BOTTOM HAUNCH ENDWORK:
- ESZOS (OUTSWING)
- HINGE BACKSET PIN - 0.9375
- HINGE 1 TO 2 CENTER PIN - 5.875
- HINGE 2 TO 3 CENTER PIN - 5.875
- HINGE 3 TO 4 CENTER PIN - 5.875
- INSERT ACTIVE RAB BEIGE - PE 650
- TRIM WEATHERSTRIP - ACTIVE RAB

FULL PACKAGE QTY : 21 (7 WIDE X 3 HIGH)



8817 W. MARKET ST.  
 COLFAX, NC 27235  
 PHONE: (336) 668-2472  
 FAX: (336) 668-4478  
 WWW.ENDURAPRODUCTS.COM

**HAUNCHED MULL**  
**LEFT HAND HINGE**



ENTERED BY: **BJackson**  
 DATE: **03/31/2023**

SPEC NUMBER: **ML 206162**  
 CUSTOMER NAME: **Masonite Int'l-West Chicago**  
 SECONDARY CUSTOMER NAME:

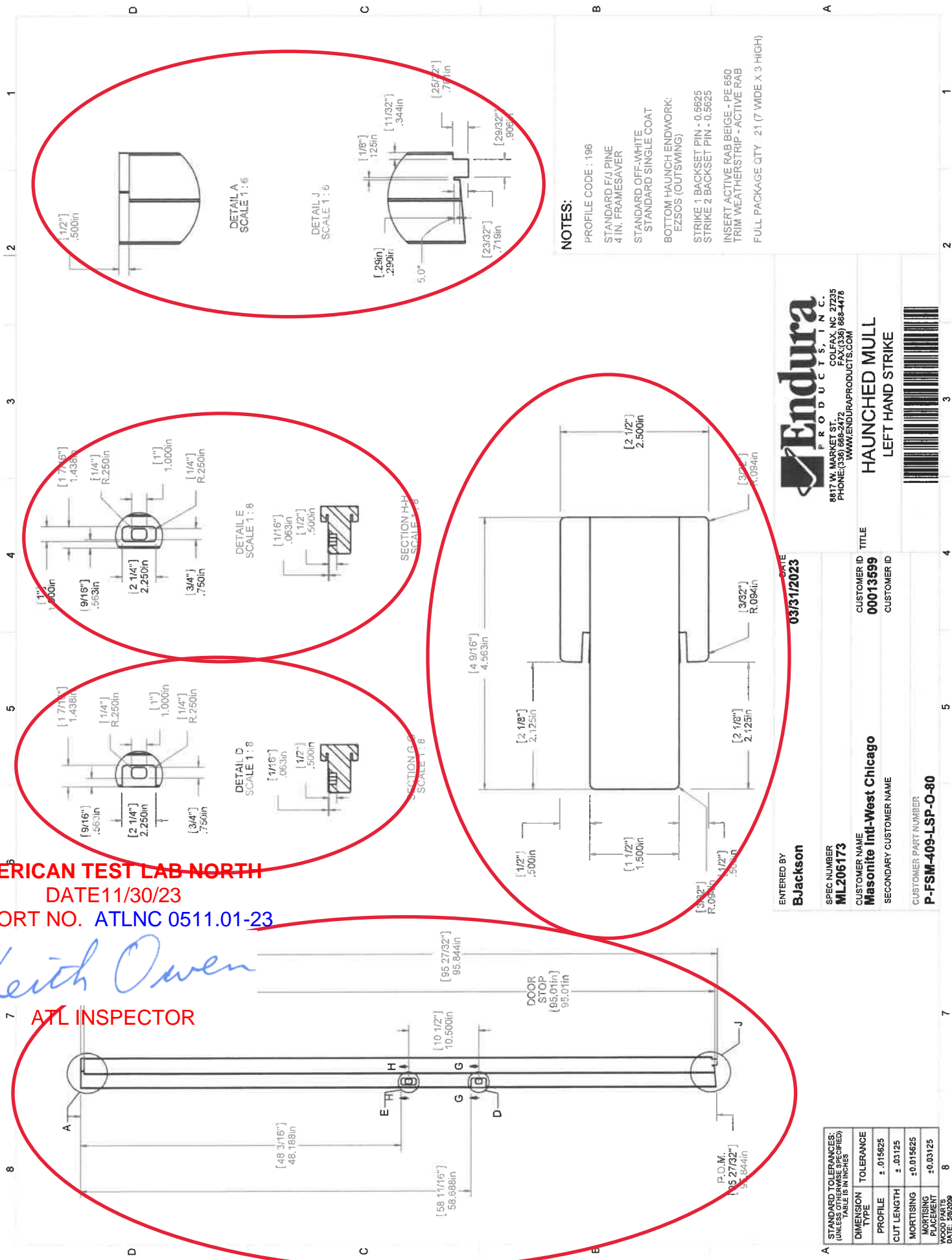
CUSTOMER ID: **00013599**  
 CUSTOMER ITEM NUMBER: **P-FSM-409-LHP-O-80**

STANDARD TOLERANCES: (UNLESS OTHERWISE SPECIFIED)	
DIMENSION TYPE	TOLERANCE
PROFILE	± .015625
CUT LENGTH	± .03125
MORTISING	±0.015625
MORTISING PLACEMENT	±0.03125
WOOD FINISH	

**AMERICAN TEST LAB NORTH**  
 DATE 11/30/23  
 REPORT NO. ATLNC 0511.01-23

*Keith Owen*

ATL INSPECTOR



**NOTES:**

- PROFILE CODE : 196
- STANDARD F4/PINE
- 4 IN. FRAMESAVER
- STANDARD OFF-WHITE
- STANDARD SINGLE COAT
- BOTTOM HAUNCH ENDWORK:
- ESZOS (OUTSWING)
- STRIKE 1 BACKSET PIN - 0.5625
- STRIKE 2 BACKSET PIN - 0.5625
- INSERT ACTIVE RAB BEIGE - PE 650
- TRIM WEATHERSTRIP - ACTIVE RAB
- FULL PACKAGE QTY : 21 (7 WIDE X 3 HIGH)

**Endura**  
 PRODUCTS, INC.  
 6617 W. MARKET ST.  
 COLFAX, NC 27235  
 PHONE: (336) 968-2472  
 FAX: (336) 968-4478  
 WWW.ENDURAPRODUCTS.COM

**HAUNCHED MULLION**  
**LEFT HAND STRIKE**

ENTERED BY: **BJackson** DATE: **03/31/2023**

SPEC NUMBER: **ML206173**

CUSTOMER NAME: **Masonite Int'l-West Chicago**

SECONDARY CUSTOMER NAME:

CUSTOMER ID: **00013599**

CUSTOMER PART NUMBER: **P-FSM-409-LSP-O-80**

STANDARD TOLERANCES: (UNLESS OTHERWISE SPECIFIED)	
DIMENSION TYPE	TOLERANCE
PROFILE	± .015625
CUT LENGTH	± .03125
MORTISING	± 0.015625
MORTISING PLACEMENT	± 0.03125

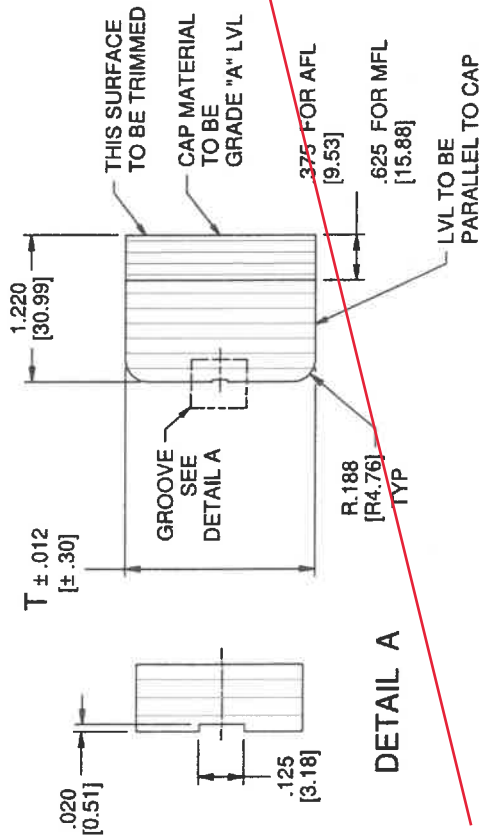
DATE: 5/6/2023

REVISION HISTORY

REV	DESCRIPTION	PCR	DRAWN BY	DATE	APPROVED
E	(10) PART NUMBERS ADDED.	718	LBH	9/30/20	AAV
F	ADDED NOTE 8	940	DB	05/19/2022	AAV

AMERICAN TEST LAB NORTH  
 DATE 11/30/23  
 REPORT NO. ATLNC 0511.01-23

*Keith Owen*  
 ATL INSPECTOR



DETAIL A

NOTE:

- SEE: EMS 306392 FOR WOOD INSPECTION STANDARDS
- MATERIAL IS FINGER JOINTED OR LAP LVL OR EQUIVALENT
- PARTS ARE UNPAINTED & WITH NO PRESERVATIVE FINISH
- GRADE "A" LVL TO MEET "GRADED SURFACE X EXTERIOR" SPECIFICATION FROM EMS 306392
- SYMBOL (G) INDICATES CRITICAL DIMENSION
- DIMENSIONS IN BRACKETS [XX] INDICATE METRIC mm DIMENSIONS
- MILL OPTION TO USE ONE LAYER OF RADIATA PINE VENEER ON FRONT AND BACK.
- ONE END OF THE THICK COMPONENTS (1.593" THICK) TO BE IDENTIFIED WITH YELLOW COLOR

PART NUMBER	DESCRIPTION	T	L	TYPE	
582202150628.3750	28.375" FJ PN RAIL TOP	1.573	28.375	720.73	AFL
582202150628.5940	28.594" FJ PN RAIL TOP	1.573	28.594	726.29	MFL
582202150630.3750	30.375" FJ PN RAIL TOP	1.573	30.375	771.53	AFL
582202150630.5940	30.594" FJ PN RAIL TOP	1.573	30.594	777.09	MFL
582202150632.3750	32.375" FJ PN RAIL TOP	1.573	32.375	822.33	AFL
582202150632.5940	32.594" FJ PN RAIL TOP	1.573	32.594	827.89	MFL
582202150633.0310	33.031" FJ PN RAIL TOP	1.573	33.031	838.99	AFL
582202150634.3750	34.375" FJ PN RAIL TOP	1.573	34.375	873.13	AFL
582202150634.5940	34.594" FJ PN RAIL TOP	1.573	34.594	878.69	MFL
582202150728.3750	28.375" (GEN) FJ PN RAIL TOP	1.573	28.375	720.73	AFL
582202150728.5940	28.594" (GEN) FJ PN RAIL TOP	1.593	28.594	726.29	MFL
582202150730.3750	30.375" (GEN) FJ PN RAIL TOP	1.593	30.375	771.53	AFL
582202150730.5940	30.594" (GEN) FJ PN RAIL TOP	1.593	30.594	777.09	MFL
582202150732.3750	32.375" (GEN) FJ PN RAIL TOP	1.593	32.375	822.33	AFL
582202150732.5940	32.594" (GEN) FJ PN RAIL TOP	1.593	32.594	827.89	MFL
582202150733.0310	33.031" (GEN) FJ PN RAIL TOP	1.593	33.031	838.99	AFL
582202150734.3750	34.375" (GEN) FJ PN RAIL TOP	1.593	34.375	873.13	AFL
582202150734.5940	34.594" (GEN) FJ PN RAIL TOP	1.593	34.594	878.69	MFL
582202150740.5940	40.594" (GEN) FJ PN RAIL TOP	1.593	40.594	1031.09	MFL

5/4 TOP RAIL  
 FIBERGLASS - PURCHASED

TOLERANCES UNLESS OTHERWISE NOTED ARE:  
 FRACTION ± 1/32"  
 DECIMAL ± .031"  
 ANGLE ± 1°

**MASONITE**

DRAWING DESIGN AND OTHER DISCLOSURES ARE THE PROPERTY OF MASONITE DOOR CORPORATION. UNAUTHORIZED USE, MANUFACTURE OR REPRODUCTION (IN WHOLE OR IN PART) IS PROHIBITED.

ORIGINAL PCR REVISION: 9393  
 SCALE: NTS  
 SHEET: 1 OF 1  
 DATE: 6/30/2016  
 DRAWN BY: JL  
 DRAWING: B  
 C2030367

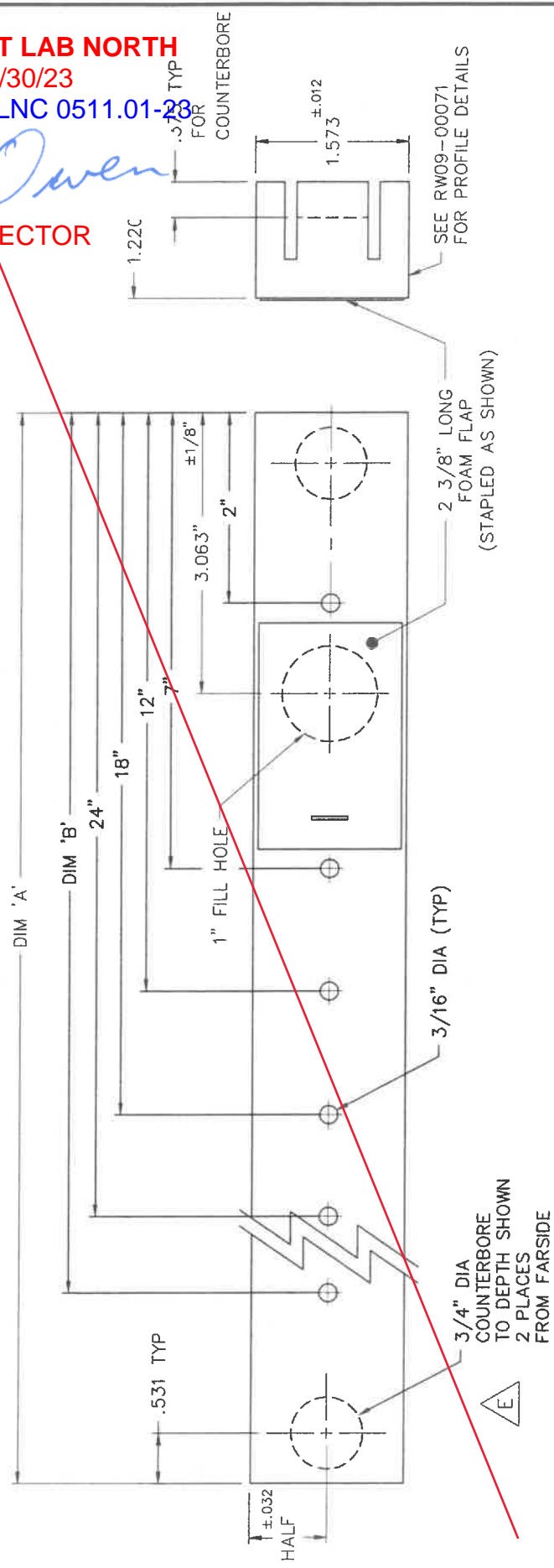
REV.	DESCRIPTION	DATE	INIT.	ECN#
C	DIM 1.595 WAS 1.600	4/1/13	AAV	8706
D	DIM 1.573 WAS 1.595	9/1/17	CJ	940.1
E	(2) 3/4" HOLES ADDED	9/22/21	AAV	942.1

**AMERICAN TEST LAB NORTH**  
**DATE 11/30/23**  
**REPORT NO. ATLNC 0511.01-23**

*Keith Owen*  
**ATL INSPECTOR**

REPLACEMENT			
WIDTH	PART #	DIM "A"	DIM "B"
26	581902160327-3751348	27 3/8"	N/A
28	581902160329-3751348	29 3/8"	28"
210	581902160331-3751348	31 3/8"	30"
30	581902160333-3751348	33 3/8"	30"

NEW CONSTRUCTION			
WIDTH	PART #	DIM "A"	DIM "B"
26	581902160328-3751348	28 3/8"	N/A
28	581902160330-3751348	30 3/8"	28"
210	581902160332-3751348	32 3/8"	30"
30	581902160334-3751348	34 3/8"	30"



ORIGINAL ECN NO.	DESCRIPTION	DATE	INIT.	ECN#
07-019	5/4 BOTTOM RAIL (COMPOSITE) - NEW LINE FIBERGLASS - MANUFACTURED (.750 TAB)			

SPEC		PREM/MASONITE	
FRACTION	±1/32"	DRAWN	ELE 10/05/07
DECIMAL	±.031"	SCALE	FULL
ANGLE	±1°	CHECKED	

**MASONITE.**

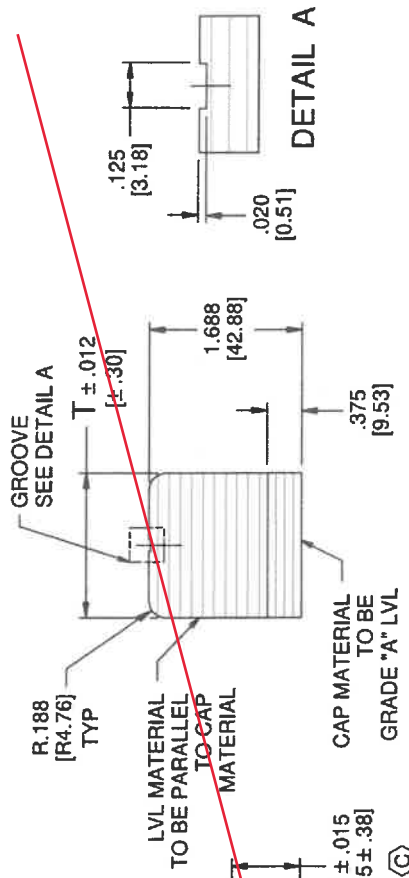
DRAWING DESIGN AND OTHER DISCLOSURES ARE THE PROPERTY OF MASONITE DOOR CORPORATION. UNAUTHORIZED USE, MANUFACTURE OR REPRODUCTION, IN WHOLE OR IN PART, IS PROHIBITED.

DRAWING NUMBER: **RW09-00119**

- NOTES:
1. MATERIAL IS TO BE COMPOSITE.
  2. PARTS ARE TO BE UNPRIMED.
  3. MAKE FROM PURCHASED COMPONENTS ON DRAWING #RW09-00071.



REVISION HISTORY					
REV	DESCRIPTION	PCR	DRAWN BY	DATE	APPROVED
F	(2) PART NUMBERS ADDED. CELCO PART NUMBER REMOVED.	718	LBH	9/30/20	AAV
G	ADDED NOTE 9	940	DB	05/19/2022	AAV



**NOTE:**

- SEE SPECIFICATION 306391 EMS FOR STILES
- ACCEPTABLE MATERIAL CAN BE: LVL WITH PINE CAP, LVL WITH GRADE A LVL.
- ACCEPTABLE CONSTRUCTION CAN BE: LAP JOINT LVL OR FINGERJOINT LVL CONSTRUCTION.
- GRADE A LVL TO MEET "GRADED SURFACE X-EXTERIOR" SPECIFICATION FROM EMS 306391
- PARTS ARE UNPAINTED AND WITHOUT PRESERVATIVE FINISH
- SYMBOL (C) INDICATES CRITICAL DIMENSION
- DIMENSIONS IN BRACKETS (XX) INDICATE METRIC mm DIMENSIONS
- MILL OPTION TO USE ONE LAYER OF RADIATA PINE VENEER ON FRONT AND BACK.
- ONE END OF THE THICK COMPONENTS (1.598" THICK) TO BE IDENTIFIED WITH YELLOW COLOR

TITLE	WOOD STILE	ORIGINAL PCR REVISION	9389
	AFL FIBERGLASS LINE - PURCHASED	SCALE	NTS
		SHEET	1 OF 1
		DATE	7/26/2016
		DRAWING	B
			940
			DB
			05/19/2022
			AAV
			AAV
			9/30/20
			LBH
			718
			PCR
			DESCRIPTION
			ADDED NOTE 9
			(2) PART NUMBERS ADDED. CELCO PART NUMBER REMOVED.
			REV



TOLERANCES UNLESS OTHERWISE NOTED ARE:  
FRACTION ± 1/32"  
DECIMAL ± .031"  
ANGLE ± 1°

DRAWING DESIGN AND OTHER DISCLOSURES ARE THE PROPERTY OF MASONITE DOOR CORPORATION. UNAUTHORIZED USE, MANUFACTURE OR REPRODUCTION (IN WHOLE OR IN PART) IS PROHIBITED.

C2030386

AMERICAN TEST LAB NORTH  
DATE 11/30/23  
REPORT NO. ATLNC 0511.01-23

*Keith Owen*

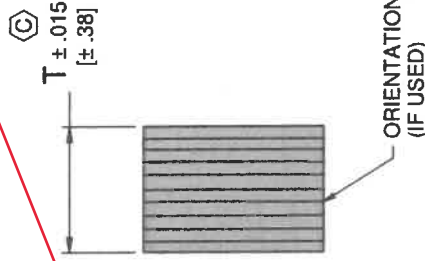
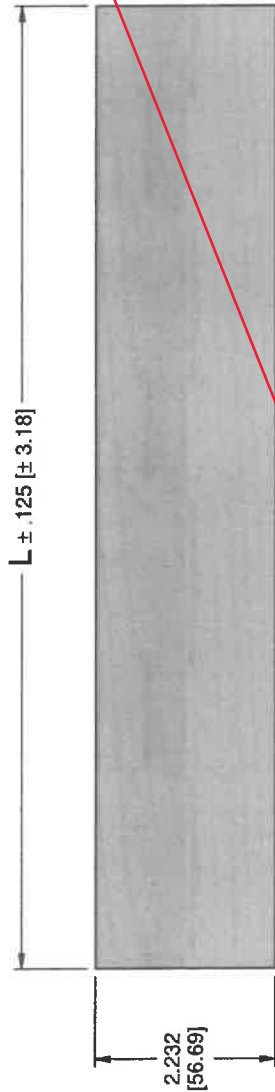
ATL INSPECTOR

PART NUMBER	DESCRIPTION	T	L	PLANT
589601060377.0002147	77" SINGLE PLY WITH LVL STILE BLNK STRK FJ PINE EDGE BAND 0.75 TAB	1.578 [40.08]	71.000 [1955.80]	DICKSON
589601060379.3752147	79.375" SINGLE PLY WITH LVL STILE BLNK STRK FJ PINE EDGE BAND 0.75	1.578 [40.08]	79.375 [2016.13]	DICKSON
589601060395.3752147	95.375" SINGLE PLY WITH LVL STILE BLNK STRK FJ PINE EDGE BAND 0.75	1.578 [40.08]	95.375 [2422.53]	DICKSON
589601060777.0002147	77" (GEN) SINGLE PLY WITH LVL STILE BLNK STRK FJ PINE EDGE BAND 0.75	1.598 [40.59]	71.000 [1955.80]	DICKSON
589601060779.3752147	79.375" (GEN) SINGLE PLY WITH LVL STILE BLNK STRK FJ PINE EDGE BAND	1.598 [40.59]	79.375 [2016.13]	DICKSON

CONFIDENTIAL PROPERTY OF MASONITE PRINTED DRAWING MAY NOT BE MOST RECENT VERSION

*Keith Owen*  
**ATL INSPECTOR**

REVISION HISTORY			
REV	DESCRIPTION	PCR	DATE
C	(2) PART NUMBERS ADDED.	718	9/30/20
D	ADDED NOTE 7	940	05/19/2022
			AAV
			AAV



- NOTE:**
1. MATERIAL TO BE SOLID WOOD CONSTRUCTION OR LVL.
  2. SEE DRAWING EMS-3069393 FOR MATERIAL SPECIFICATIONS.
  3. MATERIAL IS UNPAINTED
  4. DIMENSIONS IN BRACKETS [X.XX] INDICATE METRIC (mm) DIMENSIONS
  5. FOR MASONITE PLANT:  
FOR USE WITH RAISED PANEL BARRINGTON,  
6/8 SMOOTH 6 PANEL HVHZ & 6/8 SMOOTH FLUSH HVHZ.  
LOCK BLOCK NEEDS TO BE PLANNED DOWN TO 1.545 ± .015.
  6. SYMBOL (C) INDICATES CRITICAL DIMENSION.
  7. ONE END OF THE THICK COMPONENTS (1.585" THICK) TO BE IDENTIFIED WITH YELLOW COLOR

PART NUMBER	DESCRIPTION	T	L
580A03000912.0000	12" SOLID WOOD LOCK BLOCK	1.565 [39.75]	12.000 [304.80]
580A03000321.0000	21" SOLID WOOD LOCK BLOCK	1.565 [39.75]	21.000 [533.40]
580A03000712.0000	12" (GEN) SOLID WOOD LOCK BLOCK	1.585 [40.26]	12.000 [304.80]
580A03000721.0000	21" (GEN) SOLID WOOD LOCK BLOCK	1.585 [40.26]	21.000 [533.40]

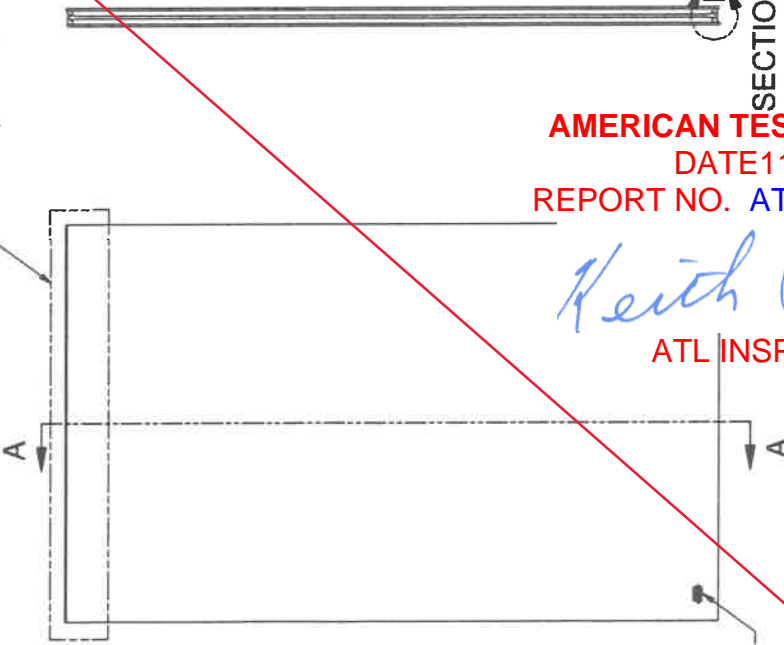
TITLE		ORIGINAL/REVISION	
SOLID WOOD LOCK BLOCK FOR 8/4 STILES - PURCHASED		9415	D
TOLERANCES UNLESS OTHERWISE NOTED ARE:		SCALE	SHEET
FRACTION ± 1/32"		NTS	1 OF 1
DECIMAL ± .031"		SHEET SIZE	JH
ANGLE ± 1°		DATE	3/23/2016
DRAWING DESIGN AND OTHER DISCLOSURES ARE THE PROPERTY OF MASONITE DOOR CORPORATION. UNAUTHORIZED USE, MANUFACTURE OR REPRODUCTION (IN WHOLE OR IN PART) IS PROHIBITED.		DRAWING	
		C2030318	

Released

REVISION HISTORY

REV	DESCRIPTION	PCR	DRAWN BY	DATE	APPROVED
E	EDITED LEADER TEXT ON SHEET 2	1201	DB	10/26/2022	AAV

CLOSURE TO BE AT TOP OF UNIT, SEE NOTE #6



SECTION A-A

**AMERICAN TEST LAB NORTH**  
 DATE 11/30/23  
 REPORT NO. ATLNC 0511.01-23

*Keith Owen*  
 ATL INSPECTOR

SEE NOTE #9

NOTE:

1. PREMIUM CUSHION EDGE SPACER SHOWN, PREMIUM SUPER SPACER SIMILAR REFER TO DRAWING C2030627 FOR SPACER DETAILS.
2. SECONDARY SEAL MUST NOT EXTEND BEYOND EDGE OF GLASS.
3. RECTANGULAR LITE SHOWN. DETAIL "B" IS TYPICAL OF ALL SHAPES AND SIDES.
4. FOR IGU MANUFACTURING, INSPECTION & QUALITY REQUIREMENTS, REFER TO QUANEX SUPER SPACER INSULATING GLASS MANUFACTURING MANUAL.
5. CLOSURE MUST BE TIGHT WITH NO GAPS OR VOIDS IN SEALANT.
6. CLOSURE TO BE LOCATED AT TOP OF THE SEALED UNIT, UNLESS OTHERWISE SPECIFIED.
7. SEE SBP-EMS-0001 FOR FLAT GLASS SPECIFICATIONS.
8. SEE SBP-EMS-0006 FOR FLAT GLASS QUALITY SPECIFICATIONS.
9. TEMPER LOGOS ON BOTH PANES TO ALIGN IN SAME CORNER.
10. ALL TEMPERED GLASS MUST COMPLY WITH THE CODES AND STANDARDS LISTED IN SPEC. #SBP-EMS-0001, SECTION 3.0.
11. ALL TEMPERED GLASS TO BE MARKED WITH LOGO PER SPEC. # SBP-EMS-0001, SECTION 4.0.
12. IG UNITS TO BE 3RD PARTY CERTIFIED TO ASTM E 2190 "STANDARD SPECIFICATION FOR INSULATING GLASS UNIT FOR PERFORMANCE AND EVALUATION" AND BE MARKED PER THEIR INSPECTION AGENCY REQUIREMENTS
13. IG CERTIFICATION LOGO TO BE SAME CORNER OF IGU AS TEMPERED GLASS LOGO.
14. FOR CONSTRUCTION DETAILS, ACCEPTABLE MATERIALS, QUALITY STANDARDS, AND PERFORMANCE REQUIREMENTS OF LAMINATED SAFETY GLASS FOR LAMINATED IGU, REFER TO MASONITE EMS # SBP-EMS-0008.
15. DIMENSIONS IN BRACKETS [XX] INDICATE METRIC mm DIMENSIONS
16. IGU EDGE SHOULD BE FREE FROM EMBEDDED PIECES OF GLASS/CARDBOARD/CORK PADS ETC.

TITLE		SUPER SPACER INSULATED GLASS UNIT ASSEMBLY		ORIGINAL PCR REVISION	E
SCALE		95/76	DRAWN BY		EVT
TOLERANCES UNLESS OTHERWISE NOTED ARE:		FRACTION ± 1/32"	SHEET	1 OF 2	DATE
DRAWING DESIGN AND OTHER DISCLOSURES ARE THE PROPERTY OF MASONITE DOOR CORPORATION. UNAUTHORIZED USE, MANUFACTURE OR REPRODUCTION (IN WHOLE OR IN PART) IS PROHIBITED.		DECIMAL ± .031"	SHEET SIZE	B	5/2/2017
MASONITE		ANGLE ± 1°	DRAWING		A1020319

Released

LOW-E COATING SURFACE (LOW-E OR LOW-E ARGON IGU)

AIR (CLEAR OR LOW-E IGU)  
OR ARGON FILLED (LOW-E ARGON IGU)  
(MINIMUM 90% INITIAL FILL REQUIRED)

CLEAR OR LOW-E  
LAMINATED GLASS

OPTIONAL DECORATIVE PANEL

CLEAR OR TEXTURED  
TEMPERED GLASS

PREMIUM SUPER SPACER  
WITH BLACK ACRYLIC ADHESIVE

QUANEX EDGETHERM 3600  
OR HB FULLER ISOMELT M  
MINIMUM 7/32"

.500 MAX  
[12.70]

X ± .032  
[.81]

.063 MAX SKEW  
[1.60]  
(MANUAL LINE)

.031 MAX SKEW  
[.79]  
(AUTO LINE)

OPTIONAL DECORATIVE PANEL

CLEAR OR TEXTURED  
TEMPERED GLASS

PREMIUM SUPER SPACER  
WITH BLACK ACRYLIC ADHESIVE

QUANEX EDGETHERM 3600  
OR HB FULLER ISOMELT M  
MINIMUM 7/32"

.500 MAX  
[12.70]

X ± .032  
[.81]

.063 MAX SKEW  
[1.60]  
(MANUAL LINE)

.031 MAX SKEW  
[.79]  
(AUTO LINE)

OPTIONAL DECORATIVE PANEL

CLEAR OR TEXTURED  
TEMPERED GLASS

PREMIUM SUPER SPACER  
WITH BLACK ACRYLIC ADHESIVE

QUANEX EDGETHERM 3600  
OR HB FULLER ISOMELT M  
MINIMUM 7/32"

.500 MAX  
[12.70]

X ± .032  
[.81]

.063 MAX SKEW  
[1.60]  
(MANUAL LINE)

.031 MAX SKEW  
[.79]  
(AUTO LINE)

OPTIONAL DECORATIVE PANEL

CLEAR OR TEXTURED  
TEMPERED GLASS

PREMIUM SUPER SPACER  
WITH BLACK ACRYLIC ADHESIVE

QUANEX EDGETHERM 3600  
OR HB FULLER ISOMELT M  
MINIMUM 7/32"

.500 MAX  
[12.70]

X ± .032  
[.81]

.063 MAX SKEW  
[1.60]  
(MANUAL LINE)

.031 MAX SKEW  
[.79]  
(AUTO LINE)

OPTIONAL DECORATIVE PANEL

CLEAR OR TEXTURED  
TEMPERED GLASS

PREMIUM SUPER SPACER  
WITH BLACK ACRYLIC ADHESIVE

QUANEX EDGETHERM 3600  
OR HB FULLER ISOMELT M  
MINIMUM 7/32"

.500 MAX  
[12.70]

X ± .032  
[.81]

.063 MAX SKEW  
[1.60]  
(MANUAL LINE)

.031 MAX SKEW  
[.79]  
(AUTO LINE)

OPTIONAL DECORATIVE PANEL

CLEAR OR TEXTURED  
TEMPERED GLASS

PREMIUM SUPER SPACER  
WITH BLACK ACRYLIC ADHESIVE

QUANEX EDGETHERM 3600  
OR HB FULLER ISOMELT M  
MINIMUM 7/32"

.500 MAX  
[12.70]

X ± .032  
[.81]

.063 MAX SKEW  
[1.60]  
(MANUAL LINE)

.031 MAX SKEW  
[.79]  
(AUTO LINE)

TEMPERED GLASS/  
CLEAR OR LOW-E

OPTIONAL DECORATIVE PANEL

CLEAR OR TEXTURED  
TEMPERED GLASS

PREMIUM SUPER SPACER  
WITH BLACK ACRYLIC ADHESIVE

QUANEX EDGETHERM 3600  
OR HB FULLER ISOMELT M  
MINIMUM 7/32"

.500 MAX  
[12.70]

X ± .032  
[.81]

.063 MAX SKEW  
[1.60]  
(MANUAL LINE)

.031 MAX SKEW  
[.79]  
(AUTO LINE)

OPTIONAL DECORATIVE PANEL

CLEAR OR TEXTURED  
TEMPERED GLASS

PREMIUM SUPER SPACER  
WITH BLACK ACRYLIC ADHESIVE

QUANEX EDGETHERM 3600  
OR HB FULLER ISOMELT M  
MINIMUM 7/32"

.500 MAX  
[12.70]

X ± .032  
[.81]

.063 MAX SKEW  
[1.60]  
(MANUAL LINE)

.031 MAX SKEW  
[.79]  
(AUTO LINE)

OPTIONAL DECORATIVE PANEL

CLEAR OR TEXTURED  
TEMPERED GLASS

PREMIUM SUPER SPACER  
WITH BLACK ACRYLIC ADHESIVE

QUANEX EDGETHERM 3600  
OR HB FULLER ISOMELT M  
MINIMUM 7/32"

.500 MAX  
[12.70]

X ± .032  
[.81]

.063 MAX SKEW  
[1.60]  
(MANUAL LINE)

.031 MAX SKEW  
[.79]  
(AUTO LINE)

OPTIONAL DECORATIVE PANEL

CLEAR OR TEXTURED  
TEMPERED GLASS

PREMIUM SUPER SPACER  
WITH BLACK ACRYLIC ADHESIVE

QUANEX EDGETHERM 3600  
OR HB FULLER ISOMELT M  
MINIMUM 7/32"

### LAMINATED IGU DETAIL B

TABLE 2

X	W
1.000	0.545

### STANDARD IGU DETAIL B

TABLE 1

X	W
1.000	0.750
0.750	0.500
0.500	0.250

**MASONITE**

ORIGINAL REVISION: 9576 E

SCALE: NTS

SHEET: 2 OF 2

DRAWN BY: EVT

SHEET SIZE: B

DATE: 5/2/2017

DRAWING: A1020319

TOLERANCES UNLESS OTHERWISE NOTED ARE:  
FRACTION ± 1/32"  
DECIMAL ± .031"  
ANGLE ± 1°

DRAWING DESIGN AND OTHER DISCLOSURES ARE THE PROPERTY OF MASONITE DOOR CORPORATION. UNAUTHORIZED USE, MANUFACTURE OR REPRODUCTION (IN WHOLE OR IN PART) IS PROHIBITED.

**AMERICAN TEST LAB NORTH**  
 DATE 11/30/23  
 REPORT NO. ATLNC 0511.01-23

*Keith Owen*  
 ATL INSPECTOR

CONFIDENTIAL PROPERTY OF MASONITE PRINTED DRAWING MAY NO

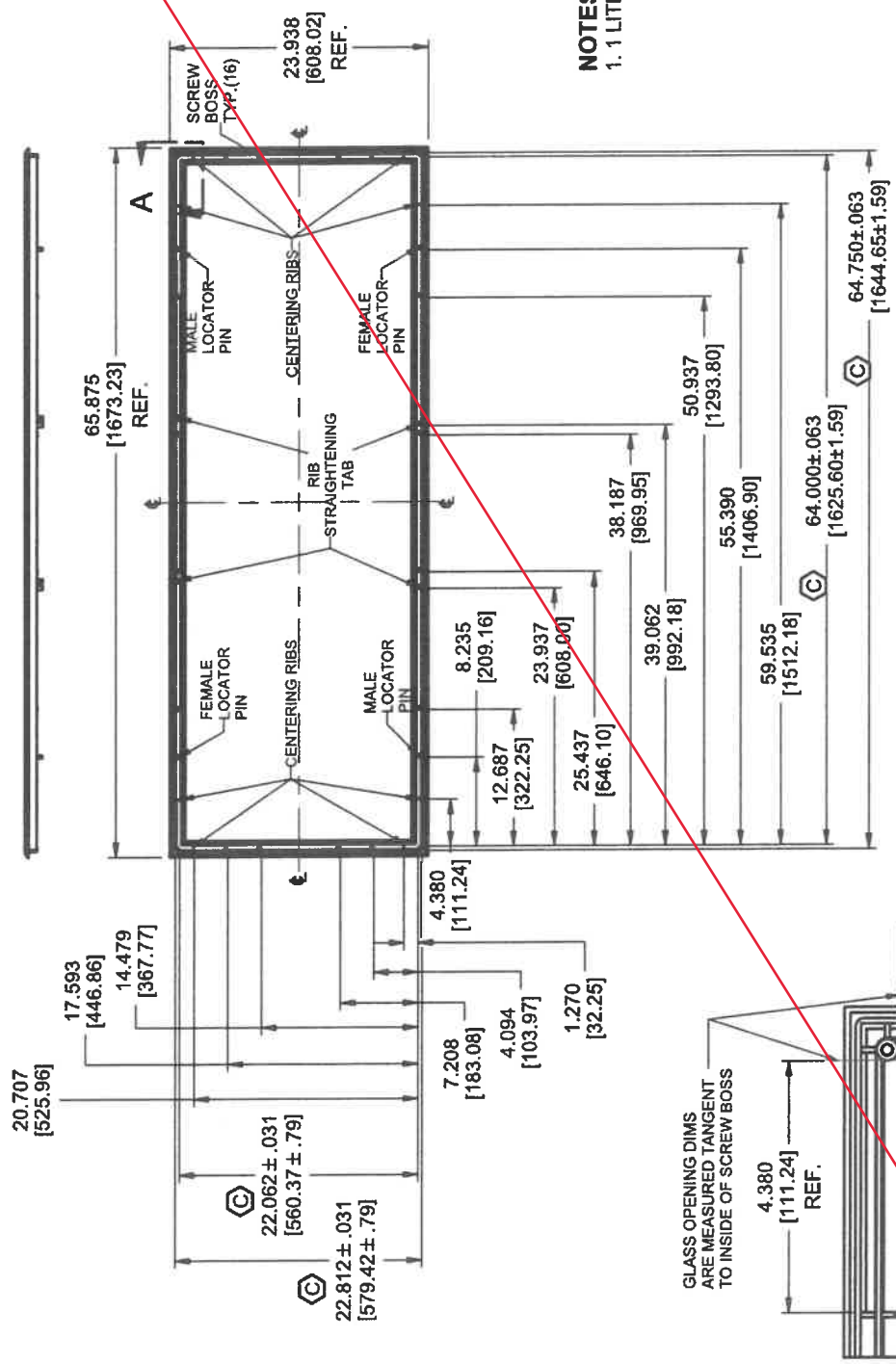
REVISION HISTORY			
REV	DESCRIPTION	PCR	DRW BY
A	RELEASED	7673.3	HXW
			DATE
			07/21/10
			CHK BY
			MDW

**AMERICAN TEST LAB NORTH**  
 DATE 11/30/23  
 REPORT NO. ATLNC 0511.01-23

*Keith Owen*  
**ATL INSPECTOR**

**NOTES:**  
 1. 1 LITE SHOWN. SIMILAR FOR 10 L ITE & 15 LITE.

**NOTICE**  
 THIS DRAWING IS FOR  
 INSPECTION PURPOSES  
 ONLY.  
 IT IS NOT TO BE USED FOR  
 TOOLING PURPOSES.



TITLE: 122 (22 x 64) SERIES LITE FRAMES INJECTION MOLDED - PURCHASED		ORIGINAL PCN NO. 7673.3	SPEC: MASONITE
TOLERANCES UNLESS OTHERWISE NOTED ARE:	FRACTION ± 1/32" DECIMAL ± .031" ANGLE ± 1°	SCALE N.T.S.	DRAWN HXW
DRAWING DESIGN AND OTHER DISCLOSURES ARE THE PROPERTY OF MASONITE DOOR CORPORATION. UNAUTHORIZED USE, MANUFACTURE OR REPRODUCTION, IN WHOLE OR IN PART, IS PROHIBITED.		SHEET B	SHEET 1 OF 2
		DRAWING NO. SBP-LF-0003	



**UNCONTROLLED COPY IF PRINTED**

**DETAIL A**


**AMERICAN TEST LAB NORTH**  
 DATE 11/30/23  
 REPORT NO. ATLNC 0511.01-23

*Keith Owen*  
 ATL INSPECTOR

**NOTICE**  
 THIS DRAWING IS FOR  
 INSPECTION PURPOSES  
 ONLY.  
 IT IS NOT TO BE USED FOR  
 TOOLING PURPOSES.

TYPE	PART #	FRAME SIDE	EXTERNAL GRIDS	# LITES	IG THICKNESS
ALMOND	78F122-01-1AO	Inner	No	1	1"
	78F122-01-1AX	Outer			
	78F122-15-5AO	Inner	Yes	15	1/2"
CENTURION	78F122-15-5AX	Outer			
	78F122-01-1MO	Inner	No	1	1"
	78F122-01-1MX	Outer			
	78F122-01-5MO	Inner	No	1	1/2"
	78F122-01-5MX	Outer			
	78F122-10-5MO	Inner	Yes	10	1/2"
MAHOGAN	78F122-10-5MX	Outer			
	78F122-15-1MO	Inner	Yes	15	1"
	78F122-15-1MX	Outer			
	78F122-15-5MO	Inner	Yes	15	1/2"
	78F122-15-5MX	Outer			
	78F122-01-1YO	Inner	No	1	1"
HURRICANE LITE™ - HVHZ IMPACT RATED	78F122-01-1YX	Outer	No	1	1"
	78F122-01-1GO	Inner			
	78F122-01-1GX	Outer	No	1	1"

- NOTES:**
- SEE DRAWING # SBP-LF-0005 FOR PROFILE & SPECIFIC PART FEATURE DETAILS.
  - SEE DRAWING # SBP-EMS-0002 FOR LITE FRAME MATERIAL & QUALITY SPECIFICATION.
  - DIMS IN BRACKETS [X.XX] INDICATE METRIC VALUES.
  - PACKAGING SPEC:
    - BOX DIMENSIONS / TYPE: 66.25" x 23" x 24" ID, 51 ECT, BC RSC DOUBLEWALL, STICHD.
    - BOX QTY : 18 PCS.
    - PALLET DIMENSIONS : 47" x 67" x 5"
    - BOXES PER PALLET : 8
  - Ⓢ INDICATES CRITICAL DIMENSION. 4 TOTAL.

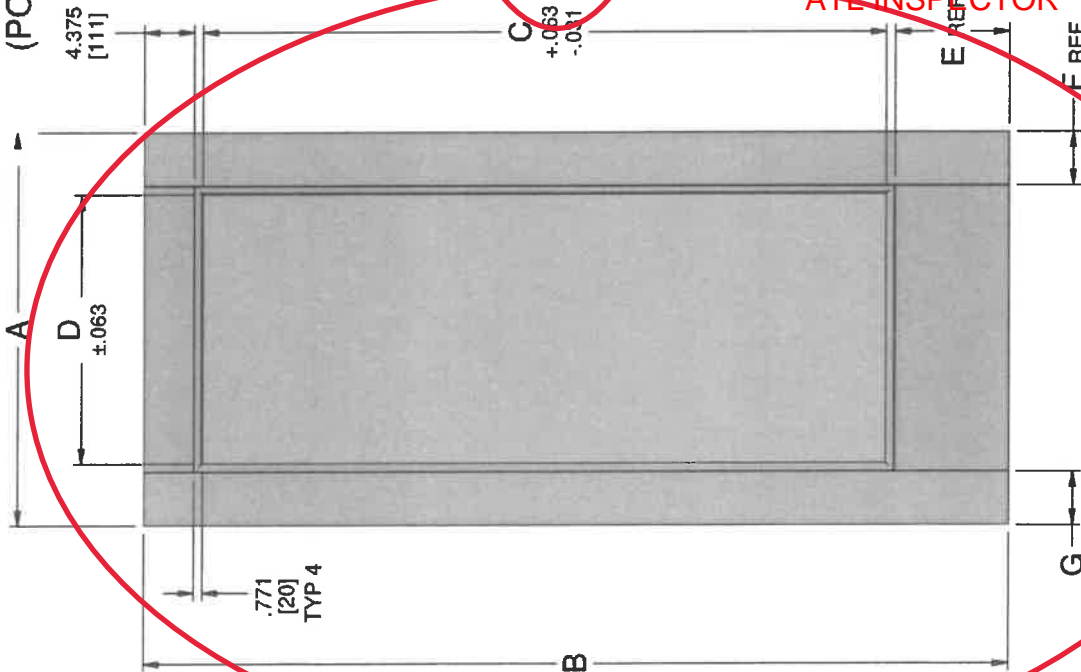
TITLE: 122 SERIES (22 x 64) LITE FRAMES INJECTION MOLDED - PURCHASED	SPEC: MASONITE ORIGINAL PCN NO. 7679.3 SCALE NTS DRAWN 3/16/2009 DRAWN BY HXW SHEET SIZE B SHEET 2 OF 2 DRAWING NO. SBP-LF-0003
TOLERANCES UNLESS OTHERWISE NOTED ARE: FRACTION ± 1/32" DECIMAL ± .031" ANGLE ± 1°	
	
DRAWING DESIGN AND OTHER DISCLOSURES ARE THE PROPERTY OF MASONITE DOOR CORPORATION. UNAUTHORIZED USE, MANUFACTURE OR REPRODUCTION, IN WHOLE OR IN PART, IS PROHIBITED.	

UNCONTROLLED COPY IF PRINTED

**FINAL ASSEMBLY DETAILS  
(POST-TRIM)**

REV	DESCRIPTION	PCR	DRAWN BY	DATE	APPROVED
G	REMOVED DISCONTINUED PART NUMBERS	1123	DB	08/03/2022	ZS/AV
H	EDITED NOTE 3 ON SHEET 1.	695	DB	10/27/2022	AAV

Released



**TABLE 1: MASONITE SPEC 6/8 Full Lite**

Glass Width	Glass Height	Door Widths	Door Height	A	B	C	D	E (REF)	F (REF)	G
26.000	64.000	3/0	6/8	35.750	79.000	62.863	24.863	10.220	4.673	4.673
22.000	63.906	2/10	6/8	33.750	79.000	62.769	20.863	10.314	5.673	5.673
22.000	63.906	2/8	6/8	31.750	79.000	62.769	20.863	10.314	4.673	4.673
20.000	65.906	2/6	6/8	29.750	79.000	62.769	18.863	10.314	4.673	4.673
14.000	64.000	2/0	6/8	23.750	79.000	62.863	12.863	10.220	4.673	4.673

**TABLE 2: MASONITE SPEC 8/0 Full Lite**

Glass Width	Glass Height	Door Widths	Door Height	A	B	C	D	E (REF)	F (REF)	G
26.000	80.000	3/0	8/0	35.750	95.000	78.863	24.863	10.220	4.673	4.673
22.000	80.000	2/10	8/0	33.750	95.000	78.863	20.863	10.220	5.673	5.673
22.000	80.000	2/8	8/0	31.750	95.000	78.863	20.863	10.220	4.673	4.673
20.000	80.000	2/6	8/0	29.750	95.000	78.863	18.863	10.220	4.673	4.673
14.000	80.000	2/0	8/0	23.750	95.000	78.863	12.863	10.220	4.673	4.673

- NOTE:**
1. SHOWN AFTER TRIM - 3/0 X 6/8
  2. REFER TO EMS 72432 & 72475 FOR FIBERGLASS SLAB SPECIFICATIONS & TOLERANCES
  3. REFER TO DRAWING A1020164 FOR LAY-UP ASSEMBLY (PRE-TRIM) DETAILS AND IGU ORIENTATION REQUIREMENTS ASSOCIATED WITH PANEL ORIENTATION (EXTERIOR / INTERIOR)
  4. SEE DWG LP03-00019 FOR LOCK & HINGE PREP LOCATION PER MASONITE SPECIFICATIONS
  5. SEE DWG LP03-00008 FOR LOCK & HINGE PREP LOCATION PER PREM SPECIFICATIONS
  6. SEE DWG LP03-00029 FOR LOCK & HINGE PREP LOCATION PER PATIO SPECIFICATIONS

**AMERICAN TEST LAB NORTH**  
DATE 11/30/23  
REPORT NO. ATLNC 0511.01-23

*Keith Owen*  
ATL INSPECTOR

REV	DESCRIPTION	PCR	DRAWN BY	DATE	APPROVED
G	REMOVED DISCONTINUED PART NUMBERS	1123	DB	08/03/2022	ZS/AV
H	EDITED NOTE 3 ON SHEET 1.	695	DB	10/27/2022	AAV

**MASONITE**

VISTA GRANDE SLABS FULL LITE  
FINAL ASSEMBLY DETAILS

TOLERANCES UNLESS OTHERWISE NOTED ARE:  
FRACTION ± 1/32"  
DECIMAL ± .031"  
ANGLE ± 1°

DRAWING DESIGN AND OTHER DISCLOSURES ARE THE PROPERTY OF MASONITE DOOR CORPORATION. UNAUTHORIZED USE, MANUFACTURE OR REPRODUCTION (IN WHOLE OR IN PART) IS PROHIBITED.

ORIGINAL PCR REVISION: H  
SCALE: NTS  
SHEET: 1 OF 11  
DRAWN BY: jloimeo  
DATE: 6/27/2016  
DRAWINGS: B

A1020163

**AMERICAN TEST LAB NORTH**  
 DATE 11/30/23  
 REPORT NO. ATLNC 0511.01-23

*Keith Owen*

**ATL INSPECTOR**

**MASONITE SPEC 7/0 Full Lite**

Glass Width	Glass Height	Door Widths	Door Height	A	B	C	D	E (REF)	F (REF)	G
26.000	68.000	3/0	7/0	35.750	83.000	66.863	24.863	10.220	4.673	4.673

**MASONITE SPEC 7/6 Full Lite**

Glass Width	Glass Height	Door Widths	Door Height	A	B	C	D	E (REF)	F (REF)	G
26.000	74.000	3/0	7/6	35.750	89.000	72.863	24.863	10.220	4.673	4.673

**PREM DOOR SPEC 7/0 Full Lite**

Glass Width	Glass Height	Door Widths	Door Height	A	B	C	D	E (REF)	F (REF)	G
26.000	68.000	3/0	7/0	35.750	83.250	66.863	24.863	10.470	4.673	4.673

**PREM DOOR SPEC 7/6 Full Lite**

Glass Width	Glass Height	Door Widths	Door Height	A	B	C	D	E (REF)	F (REF)	G
26.000	74.000	3/0	7/6	35.750	89.250	72.863	24.863	10.470	4.673	4.673

**TABLE 3: PREM DOOR SPEC 6/8 Full Lite**

Glass Width	Glass Height	Door Widths	Door Height	A	B	C	D	E (REF)	F (REF)	G
26.000	64.000	3/0	6/8	35.750	79.250	62.863	24.863	10.470	4.673	4.673
22.000	63.906	2/10	6/8	33.750	79.250	62.769	20.863	10.564	5.673	5.673
22.000	63.906	2/8	6/8	31.750	79.250	62.769	20.863	10.564	4.673	4.673
20.000	63.906	2/6	6/8	29.750	79.250	62.769	18.863	10.564	4.673	4.673
14.000	64.000	2/0	6/8	23.750	79.250	62.863	12.863	10.470	4.673	4.673

**TABLE 4: PREM DOOR SPEC 8/0 Full Lite**

Glass Width	Glass Height	Door Widths	Door Height	A	B	C	D	E (REF)	F (REF)	G
26.000	80.000	3/0	8/0	35.750	95.250	78.863	24.863	10.470	4.673	4.673
22.000	80.000	2/10	8/0	33.750	95.250	78.863	20.863	10.470	5.673	5.673
22.000	80.000	2/8	8/0	31.750	95.250	78.863	20.863	10.470	4.673	4.673
20.000	80.000	2/6	8/0	29.750	95.250	78.863	18.863	10.470	4.673	4.673
14.000	80.000	2/0	8/0	23.750	95.250	78.863	12.863	10.470	4.673	4.673

TITLE: VISTA GRANDE SLABS FULL LITE  
 FINAL ASSEMBLY DETAILS



TOLERANCES UNLESS OTHERWISE NOTED ARE:  
 FRACTION ± 1/32"  
 DECIMAL ± .031"  
 ANGLE ± 1°

DRAWING DESIGN AND OTHER DISCLOSURES ARE THE PROPERTY OF MASONITE DOOR CORPORATION. UNAUTHORIZED USE, MANUFACTURE OR REPRODUCTION (IN WHOLE OR IN PART) IS PROHIBITED.

ORIGINAL PREVISION	H
SCALE	2 OF 11
DRAWN BY	jlomeo
NTS	DATE
SHEET SIZE	B
DRAWING	6/27/2016
A1020163	



**AMERICAN TEST LAB NORTH**  
 DATE 11/30/23  
 REPORT NO. ATLNC 0511.01-23

*Keith Owen*

**ATL INSPECTOR**

**TABLE 5: PATIO 6/8 Full Lite**

Door Widths	Door Height	Glass Width	Glass Height	A	B	C	D	E (REF)	F (REF)	G
3/0	6/8	26.000	64.000	34.406	76.875	62.863	24.863	8.095	3.366	4.635
2/10	6/8	22.000	63.906	32.406	76.875	62.769	20.863	8.189	5.001	5.001
2/8	6/8	22.000	63.906	30.406	76.875	62.769	20.863	8.189	3.366	4.635
2/6	6/8	20.000	63.906	28.406	76.875	62.769	18.863	8.189	3.366	4.635
2/0	6/8	14.000	64.000	22.406	76.875	62.863	12.863	8.095	3.366	4.635

**TABLE 6: PATIO 8/0 Full Lite**

Door Widths	Door Height	Glass Width	Glass Height	A	B	C	D	E (REF)	F (REF)	G
3/0	8/0	26.000	80.000	34.406	92.875	78.863	24.863	8.095	3.366	4.635
2/10	8/0	22.000	80.000	32.406	92.875	78.863	20.863	8.095	5.001	5.001
2/8	8/0	22.000	80.000	30.406	92.875	78.863	20.863	8.095	3.366	4.635
2/6	8/0	20.000	80.000	28.406	92.875	78.863	18.863	8.095	3.366	4.635
2/0	8/0	14.000	80.000	22.406	92.875	78.863	12.863	8.095	3.366	4.635

TITLE		VISTA GRANDE SLABS FULL LITE FINAL ASSEMBLY DETAILS	
ORIGINAL PCR REVISION	H	SCALE	NTS
SHEET	3 OF 11	DRAWING BY	jlomeo
SHEET SIZE	B	DATE	6/27/2016
DRAWING			
TOLERANCES UNLESS OTHERWISE NOTED ARE:		FRACTION ± 1/32" DECIMAL ± .031" ANGLE ± 1°	
DRAWING DESIGN AND OTHER DISCLOSURES ARE THE PROPERTY OF MASONITE DOOR CORPORATION. UNAUTHORIZED USE, MANUFACTURE OR REPRODUCTION (IN WHOLE OR IN PART) IS PROHIBITED.			
MASONITE		A1020163	

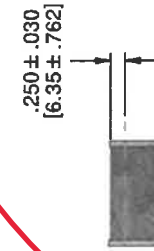
CONFIDENTIAL PROPERTY OF MASONITE PRINTED DRAWING MAY NOT BE MOST RECENT VERSION

Released

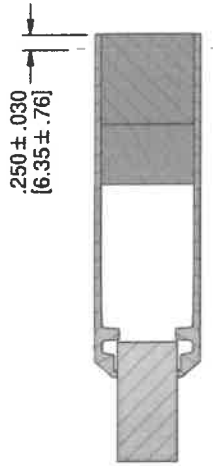
*Keith Owen*

ATL INSPECTOR

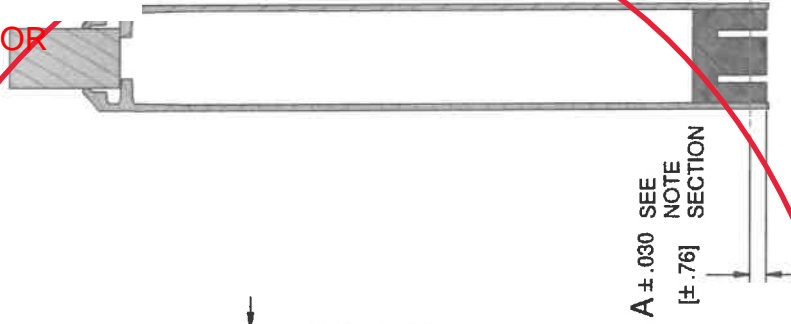
TRIM SPECIFICATIONS



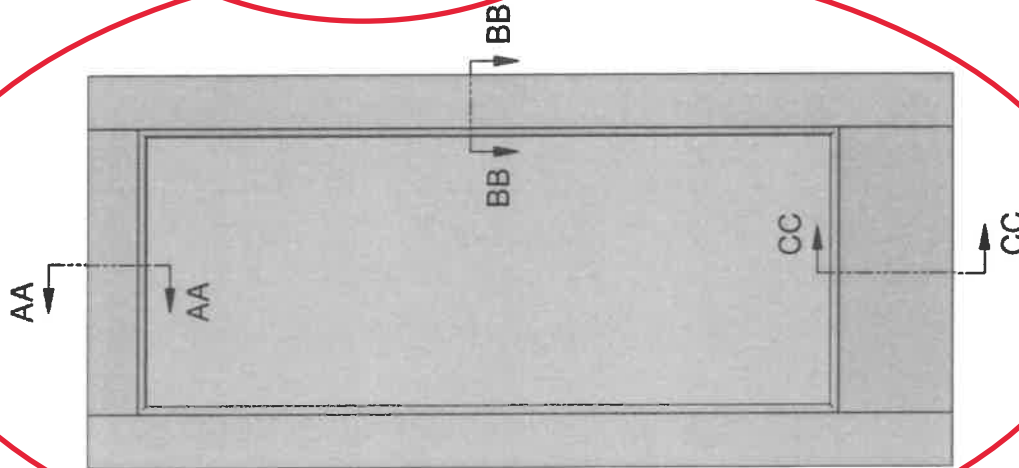
SECTION AA-AA



SECTION BB-BB



SECTION CC-CC



- NOTE:
1. FOR MASONITE SPEC: A = .313
  2. FOR PREM SPEC: A = .063
  3. TRIM DIMENSIONS TAKEN FROM THE EDGE OF STILE OR RAIL, NOT THE EDGE OF THE FACING

TITLE VISTA GRANDE SLABS FULL LITE  
FINAL ASSEMBLY DETAILS



ORIGINAL REVISION	H
SCALE	NTS
SHEET	4 OF 11
DRAWN BY	lomo
SHEET SIZE	B
DATE	6/27/2016
DRAWING	A1020163

TOLERANCES UNLESS OTHERWISE NOTED ARE:  
FRACTION ± 1/32"  
DECIMAL ± .031"  
ANGLE ± 1°

DRAWING DESIGN AND OTHER DISCLOSURES ARE THE PROPERTY OF MASONITE DOOR CORPORATION. UNAUTHORIZED USE, MANUFACTURE OR REPRODUCTION (IN WHOLE OR IN PART) IS PROHIBITED.

Released

CONFIDENTIAL PROPERTY OF MASONITE PRINTED DRAWING MAY NOT BE MOST RECENT VERSION

*Keith Owen*

ATL INSPECTOR

**TABLE 7: Masonite Spec Non-Textured White New Construction 6/8 - LVL Stile**

SIZE	GLASS	PART NO.	DESCRIPTION
2/0x6/8	14x64	30275932	23-3/4" x 79" S&R Non-Text FIGiz FBGL Dr FG2015 14 x 64 Insert 4-3/8" Top White
2/6x6/8	20x64	30275832	29-3/4" x 79" S&R Non-Text FIGiz EBGL Dr FG2015 20 x 64 Insert 4-3/8" Top White
2/8x6/8	22x64	30275632	31-3/4" x 79" S&R Non-Text FIGiz FBGL Dr FG2015 22 x 64 Insert 4-3/8" Top White
2/10x6/8	22x64	30275532	33-3/4" x 79" S&R Non-Text FIGiz FBGL Dr FG2015 22 x 80 Insert 4-3/8" Top White
3/0x6/8	26x64	30275332	35-3/4" x 79" S&R Non-Text FIGiz FBGL Dr FG2015 26 x 64 Insert 4-3/8" Top White

**TABLE 8: Masonite Spec Non-Textured White New Construction 8/0 - LVL Stile**

SIZE	GLASS	PART NO.	DESCRIPTION
2/0x8/0	14x80	30276632	23-3/4" x 95" S&R Non-Text FIGiz FBGL Dr FG2015 14 x 80 Insert 4-3/8" Top White
2/6x8/0	20x80	30276532	29-3/4" x 95" S&R Non-Text FIGiz FBGL Dr FG2015 20 x 80 Insert 4-3/8" Top White
2/8x8/0	22x80	30276332	31-3/4" x 95" S&R Non-Text FIGiz FBGL Dr FG2015 22 x 80 Insert 4-3/8" Top White
2/10x8/0	22x80	30276232	33-3/4" x 95" S&R Non-Text FIGiz FBGL Dr FG2015 22 x 80 Insert 4-3/8" Top White
3/0x8/0	26x80	30276032	35-3/4" x 95" S&R Non-Text FIGiz FBGL Dr FG2015 26 x 80 Insert 4-3/8" Top White

**TABLE 9: Masonite Spec Fir Textured Beige New Construction 6/8 - Pine Edge**

SIZE	GLASS	PART NO.	DESCRIPTION
2/6x6/8	20x64	30277232	29-3/4" x 79" S&R Text FIGiz FBGL Dr FG2015 Fir 20 x 64 Insert 4-3/8" Top Beige
2/8x6/8	22x64	30277032	31-3/4" x 79" S&R Text FIGiz EBGL Dr FG2015 Fir 22 x 64 Insert 4-3/8" Top Beige
2/10x6/8	22x64	30276932	33-3/4" x 79" S&R Text FIGiz FBGL Dr FG2015 Fir 22 x 64 Insert 4-3/8" Top Beige
3/0x6/8	26x64	30276732	35-3/4" x 79" S&R Text FIGiz FBGL Dr FG2015 Fir 26 x 64 Insert 4-3/8" Top Beige

**TABLE 10: Masonite Spec Fir Textured Beige New Construction 8/0 - Pine Edge**

SIZE	GLASS	PART NO.	DESCRIPTION
2/6x8/0	20x80	30277932	29-3/4" x 95" S&R Text FIGiz FBGL Dr FG2015 Fir 20 x 80 Insert 4-3/8" Top Beige
2/8x8/0	22x80	30277732	31-3/4" x 95" S&R Text FIGiz FBGL Dr FG2015 Fir 22 x 80 Insert 4-3/8" Top Beige
2/10x8/0	22x80	30277632	33-3/4" x 95" S&R Text FIGiz FBGL Dr FG2015 Fir 22 x 80 Insert 4-3/8" Top Beige
3/0x8/0	26x80	30277432	35-3/4" x 95" S&R Text FIGiz FBGL Dr FG2015 Fir 26 x 80 Insert 4-3/8" Top Beige

TITLE VISTA GRANDE SLABS FULL LITE FINAL ASSEMBLY DETAILS		ORIGINAL OR REVISION H
TOLERANCES UNLESS OTHERWISE NOTED ARE: DRAWING DESIGN AND OTHER DISCLOSURES ARE THE PROPERTY OF MASONITE DOOR CORPORATION. UNAUTHORIZED USE, MANUFACTURE OR REPRODUCTION (IN WHOLE OR IN PART) IS PROHIBITED.		SCALE NTS
MASONITE		SHEET 5 OF 11
		DATE 6/27/2016
		DRAWING A1020163

Released

**AMERICAN TEST LAB NORTH**  
 DATE 11/30/23  
 REPORT NO. ATLNC 0511.01-23

*Keith Owen*

**ATL INSPECTOR**

**TABLE 11: Masonite Spec Non-Textured White New Construction 6/8 - CET Edge**

SIZE	GLASS	PART NO.	DESCRIPTION
2/10x6/8	14x64	30278732	23-3/4" x 79" S&R Non-Text FirGiz FBGL Dr FG2015 14 x 64 Insert 4-3/8" Top White (CS)
2/6x6/8	20x64	30278632	29-3/4" x 79" S&R Non-Text FirGiz FBGL Dr FG2015 20 x 64 Insert 4-3/8" Top White (CS)
2/8x6/8	22x64	30278432	31-3/4" x 79" S&R Non-Text FirGiz FBGL Dr FG2015 22 x 64 Insert 4-3/8" Top White (CS)
2/10x6/8	22x64	30278332	33-3/4" x 79" S&R Non-Text FirGiz FBGL Dr FG2015 22 x 64 Insert 4-3/8" Top White (CS)
3/10x6/8	26x64	30278132	35-3/4" x 79" S&R Non-Text FirGiz FBGL Dr FG2015 26 x 64 Insert 4-3/8" Top White (CS)

**TABLE 12: Masonite Spec Non-Textured White New Construction 8/0 - CET Edge**


SIZE	GLASS	PART NO.	DESCRIPTION
2/10x8/0	14x80	30279432	23-3/4" x 95" S&R Non-Text FirGiz FBGL Dr FG2015 14 x 80 Insert 4-3/8" Top White (CS)
2/6x8/0	20x80	30279332	29-3/4" x 95" S&R Non-Text FirGiz FBGL Dr FG2015 20 x 80 Insert 4-3/8" Top White (CS)
2/8x8/0	22x80	30279132	31-3/4" x 95" S&R Non-Text FirGiz FBGL Dr FG2015 22 x 80 Insert 4-3/8" Top White (CS)
2/10x8/0	22x80	30279032	33-3/4" x 95" S&R Non-Text FirGiz FBGL Dr FG2015 22 x 80 Insert 4-3/8" Top White (CS)
3/10x8/0	26x80	30278832	35-3/4" x 95" S&R Non-Text FirGiz FBGL Dr FG2015 26 x 80 Insert 4-3/8" Top White (CS)

**TABLE 13: Masonite Spec Fir Textured Beige New Construction 6/8 - CET Edge**

SIZE	GLASS	PART NO.	DESCRIPTION
2/6x6/8	20x64	30280032	29-3/4" x 79" S&R Text FirGiz FBGL Dr FG2015 Fir 20 x 64 Insert 4-3/8" Top Beige (CS)
2/8x6/8	22x64	30279832	31-3/4" x 79" S&R Text FirGiz FBGL Dr FG2015 Fir 22 x 64 Insert 4-3/8" Top Beige (CS)
2/10x6/8	22x64	30279732	33-3/4" x 79" S&R Text FirGiz FBGL Dr FG2015 Fir 22 x 64 Insert 4-3/8" Top Beige (CS)
3/10x6/8	26x64	30279532	35-3/4" x 79" S&R Text FirGiz FBGL Dr FG2015 Fir 26 x 64 Insert 4-3/8" Top Beige (CS)

**TABLE 14: Masonite Spec Fir Textured Beige New Construction 8/0 - CET Edge**

SIZE	GLASS	PART NO.	DESCRIPTION
2/6x8/0	20x80	30280732	29-3/4" x 95" S&R Text FirGiz FBGL Dr FG2015 Fir 20 x 80 Insert 4-3/8" Top Beige (CS)
2/8x8/0	22x80	30280532	31-3/4" x 95" S&R Text FirGiz FBGL Dr FG2015 Fir 22 x 80 Insert 4-3/8" Top Beige (CS)
2/10x8/0	22x80	30280432	33-3/4" x 95" S&R Text FirGiz FBGL Dr FG2015 Fir 22 x 80 Insert 4-3/8" Top Beige (CS)
3/10x8/0	26x80	30280232	35-3/4" x 95" S&R Text FirGiz FBGL Dr FG2015 Fir 26 x 80 Insert 4-3/8" Top Beige (CS)

TITLE VISTA GRANDE SLABS FULL LITE FINAL ASSEMBLY DETAILS		ORIGINAL PCR REVISION <b>H</b>
TOLERANCES UNLESS OTHERWISE NOTED ARE: DRAWING DESIGN AND OTHER DISCLOSURES ARE THE PROPERTY OF MASONITE DOOR CORPORATION. UNAUTHORIZED USE, MANUFACTURE OR REPRODUCTION (IN WHOLE OR IN PART) IS PROHIBITED.		SCALE NTS
		DRAWN BY jomeo
		SHEET 6 OF 11
		DATE 6/27/2016
		DRAWING A1020163

CONFIDENTIAL PROPERTY OF MASONITE PRINTED DRAWING MAY NOT BE MOST RECENT VERSION

Released

**AMERICAN TEST LAB NORTH**  
 DATE 11/30/23  
 REPORT NO. ATLNC 0511.01-23

*Keith Owen*

**ATL INSPECTOR**

**TABLE 15: Premdor Spec Non-Textured White New Construction 6/8 - Pine Edge**

SIZE	GLASS	PART NO.	DESCRIPTION
2/0x6/8	14x64	30281532	<del>23-3/4" x 79-1/4" S&amp;R Non-Text Figiz FBGL Dr FG2015 14 x 64 Insert 4-3/8" Top White</del>
2/6x6/8	20x64	30281432	<del>29-3/4" x 79-1/4" S&amp;R Non-Text Figiz FBGL Dr FG2015 20 x 64 Insert 4-3/8" Top White</del>
2/8x6/8	22x64	30281232	<del>31-3/4" x 79-1/4" S&amp;R Non-Text Figiz FBGL Dr FG2015 22 x 64 Insert 4-3/8" Top White</del>
2/10x6/8	22x64	30281132	<del>33-3/4" x 79-1/4" S&amp;R Non-Text Figiz FBGL Dr FG2015 22 x 64 Insert 4-3/8" Top White</del>
3/0x6/8	26x64	30280932	<del>35-3/4" x 79-1/4" S&amp;R Non-Text Figiz FBGL Dr FG2015 26 x 64 Insert 4-3/8" Top White</del>

**TABLE 16: Premdor Spec Non-Textured White New Construction 8/0 - Pine Edge**

SIZE	GLASS	PART NO.	DESCRIPTION
2/0x8/0	14x80	30282232	23-3/4" x 95-1/4" S&R Non-Text Figiz FBGL Dr FG2015 14 x 80 Insert 4-3/8" Top White
2/6x8/0	20x80	30282132	29-3/4" x 95-1/4" S&R Non-Text Figiz FBGL Dr FG2015 20 x 80 Insert 4-3/8" Top White
2/8x8/0	22x80	30281932	31-3/4" x 95-1/4" S&R Non-Text Figiz FBGL Dr FG2015 22 x 80 Insert 4-3/8" Top White
2/10x8/0	22x80	30281832	33-3/4" x 95-1/4" S&R Non-Text Figiz FBGL Dr FG2015 22 x 80 Insert 4-3/8" Top White
3/0x8/0	26x80	30281632	35-3/4" x 95-1/4" S&R Non-Text Figiz FBGL Dr FG2015 26 x 80 Insert 4-3/8" Top White

**TABLE 17: Premdor Spec Fir Textured Beige New Construction 6/8 - Pine Edge**

SIZE	GLASS	PART NO.	DESCRIPTION
2/6x6/8	20x64	30282332	29-3/4" x 79-1/4" S&R Text Figiz FBGL Dr FG2015 Fir 20 x 64 Insert 4-3/8" Top Beige
2/8x6/8	22x64	30282632	31-3/4" x 79-1/4" S&R Text Figiz FBGL Dr FG2015 Fir 22 x 64 Insert 4-3/8" Top Beige
2/10x6/8	22x64	30282532	33-3/4" x 79-1/4" S&R Text Figiz FBGL Dr FG2015 Fir 22 x 64 Insert 4-3/8" Top Beige
3/0x6/8	26x64	30282332	35-3/4" x 79-1/4" S&R Text Figiz FBGL Dr FG2015 Fir 26 x 64 Insert 4-3/8" Top Beige

**TABLE 18: Premdor Spec Fir Textured Beige New Construction 8/0 - Pine Edge**

SIZE	GLASS	PART NO.	DESCRIPTION
2/6x8/0	20x80	30283532	29-3/4" x 95-1/4" S&R Text Figiz FBGL Dr FG2015 Fir 20 x 80 Insert 4-3/8" Top Beige
2/8x8/0	22x80	30283332	31-3/4" x 95-1/4" S&R Text Figiz FBGL Dr FG2015 Fir 22 x 80 Insert 4-3/8" Top Beige
2/10x8/0	22x80	30283232	33-3/4" x 95-1/4" S&R Text Figiz FBGL Dr FG2015 Fir 22 x 80 Insert 4-3/8" Top Beige
3/0x8/0	26x80	30283032	35-3/4" x 95-1/4" S&R Text Figiz FBGL Dr FG2015 Fir 26 x 80 Insert 4-3/8" Top Beige

TITLE VISTA GRANDE SLABS FULL LITE  
 FINAL ASSEMBLY DETAILS



ORIGINAL PCB REVISION	H
SCALE	NTS
SHEET	7 of 11
DRAWN BY	ilomeo
SHEET SIZE	B
DATE	6/27/2016
DRAWING	A1020163

TOLERANCES UNLESS OTHERWISE NOTED ARE:  
 FRACTION ± 1/32"  
 DECIMAL ± .031"  
 ANGLE ± 1°

DRAWING DESIGN AND OTHER DISCLOSURES ARE THE PROPERTY OF MASONITE DOOR CORPORATION. UNAUTHORIZED USE, MANUFACTURE OR REPRODUCTION (IN WHOLE OR IN PART) IS PROHIBITED.

**AMERICAN TEST LAB NORTH**  
 DATE 11/30/23  
 REPORT NO. ATLNC 0511.01-23

*Keith Owen*

**ATL INSPECTOR**

**TABLE 19: Premdor Spec Non-Textured White New Construction 6/8 - CET Edge**

SIZE	GLASS	PART NO.	DESCRIPTION
2/0x6/8	14x64	30284332	23-3/4" x 79-1/4" S&R Non-Text FIGlz FBGL Dr FG2015 14 x 64 Insert 4-3/8" Top White (CS)
2/6x6/8	20x64	30284232	29-3/4" x 79-1/4" S&R Non-Text FIGlz FBGL Dr FG2015 20 x 64 Insert 4-3/8" Top White (CS)
2/8x6/8	22x64	30284032	31-3/4" x 79-1/4" S&R Non-Text FIGlz FBGL Dr FG2015 22 x 64 Insert 4-3/8" Top White (CS)
2/10x6/8	22x64	30283932	33-3/4" x 79-1/4" S&R Non-Text FIGlz FBGL Dr FG2015 22 x 64 Insert 4-3/8" Top White (CS)
3/0x6/8	26x64	30283732	35-3/4" x 79-1/4" S&R Non-Text FIGlz FBGL Dr FG2015 26 x 64 Insert 4-3/8" Top White (CS)

**TABLE 20: Premdor Spec Non-Textured White New Construction 8/0 - CET Edge**

SIZE	GLASS	PART NO.	DESCRIPTION
2/0x8/0	14x80	30285032	23-3/4" x 95-1/4" S&R Non-Text FIGlz FBGL Dr FG2015 14 x 80 Insert 4-3/8" Top White (CS)
2/6x8/0	20x80	30284932	29-3/4" x 95-1/4" S&R Non-Text FIGlz FBGL Dr FG2015 20 x 80 Insert 4-3/8" Top White (CS)
2/8x8/0	22x80	30284732	31-3/4" x 95-1/4" S&R Non-Text FIGlz FBGL Dr FG2015 22 x 80 Insert 4-3/8" Top White (CS)
2/10x8/0	22x80	30284632	33-3/4" x 95-1/4" S&R Non-Text FIGlz FBGL Dr FG2015 22 x 80 Insert 4-3/8" Top White (CS)
3/0x8/0	26x80	30284432	35-3/4" x 95-1/4" S&R Non-Text FIGlz FBGL Dr FG2015 26 x 80 Insert 4-3/8" Top White (CS)

**TABLE 21: Premdor Spec Fir Textured Beige New Construction 6/8 - CET Edge**

SIZE	GLASS	PART NO.	DESCRIPTION
2/6x6/8	20x64	30285632	29-3/4" x 79-1/4" S&R Text FIGlz FBGL Dr FG2015 Fir 20 x 64 Insert 4-3/8" Top Beige (CS)
2/8x6/8	22x64	30285432	31-3/4" x 79-1/4" S&R Text FIGlz FBGL Dr FG2015 Fir 22 x 64 Insert 4-3/8" Top Beige (CS)
2/10x6/8	22x64	30285332	33-3/4" x 79-1/4" S&R Text FIGlz FBGL Dr FG2015 Fir 22 x 64 Insert 4-3/8" Top Beige (CS)
3/0x6/8	26x64	30285132	35-3/4" x 79-1/4" S&R Text FIGlz FBGL Dr FG2015 Fir 26 x 64 Insert 4-3/8" Top Beige (CS)

**TABLE 22: Premdor Spec Fir Textured Beige New Construction 8/0 - CET Edge**

SIZE	GLASS	PART NO.	DESCRIPTION
2/6x8/0	20x80	30286332	29-3/4" x 95-1/4" S&R Text FIGlz FBGL Dr FG2015 Fir 20 x 80 Insert 4-3/8" Top Beige (CS)
2/8x8/0	22x80	30286132	31-3/4" x 95-1/4" S&R Text FIGlz FBGL Dr FG2015 Fir 22 x 80 Insert 4-3/8" Top Beige (CS)
2/10x8/0	22x80	30286032	33-3/4" x 95-1/4" S&R Text FIGlz FBGL Dr FG2015 Fir 22 x 80 Insert 4-3/8" Top Beige (CS)
3/0x8/0	26x80	30285832	35-3/4" x 95-1/4" S&R Text FIGlz FBGL Dr FG2015 Fir 26 x 80 Insert 4-3/8" Top Beige (CS)

TITLE VISTA GRANDE SLABS FULL LITE FINAL ASSEMBLY DETAILS		ORIGINAL PCR REVISION <b>H</b>
TOLERANCES UNLESS OTHERWISE NOTED ARE: FRACTION ± 1/32" DECIMAL ± .031" ANGLE ± 1°	SCALE NTS	DRAWN BY jlorneo
	SHEET 8 OF 11	
DATE 6/27/2016		DRAWING A1020163



CONFIDENTIAL PROPERTY OF MASONITE PRINTED DRAWING MAY NOT BE MOST RECENT VERSION

Released

**AMERICAN TEST LAB NORTH**  
 DATE 11/30/23  
 REPORT NO. ATLNC 0511.01-23

*Keith Owen*

**ATL INSPECTOR**

**TABLE 23: Non-Textured White Patio Spec 6/8 - Pine Edge**

SIZE	GLASS	PART NO.	DESCRIPTION
2/0x6/8	14x64	30287332	22-13/32" x 76-7/8" S&R Non-Text FIGiz FBGL Dr FG2015 14 x 64 Insert 4-5/8" Top Offset White
2/6x6/8	20x64	30287432	28-13/32" x 76-7/8" S&R Non-Text FIGiz FBGL Dr FG2015 20 x 64 Insert 4-5/8" Top Offset White
2/8x6/8	22x64	30287532	30-13/32" x 76-7/8" S&R Non-Text FIGiz FBGL Dr FG2015 22 x 64 Insert 4-5/8" Top Offset White
2/10x6/8	22x64	30304332	32-13/32" x 76-7/8" S&R Non-Text FIGiz FBGL Dr FG2015 22 x 64 Insert 4-5/8" Top Offset White
3/0x6/8	26X64	30287732	34-13/32" x 76-7/8" S&R Non-Text FIGiz FBGL Dr FG2015 26 x 64 Insert 4-5/8" Top Offset White

**TABLE 24: Non-Textured White Patio Spec 8/0 - Pine Edge**

SIZE	GLASS	PART NO.	DESCRIPTION
2/0x8/0	14x80	30287832	22-13/32" x 92-7/8" S&R Non-Text FIGiz FBGL Dr FG2015 14 x 80 Insert 4-5/8" Top Offset White
2/6x8/0	20x80	30287932	28-13/32" x 92-7/8" S&R Non-Text FIGiz FBGL Dr FG2015 20 x 80 Insert 4-5/8" Top Offset White
2/8x8/0	22x80	30288032	30-13/32" x 92-7/8" S&R Non-Text FIGiz FBGL Dr FG2015 22 x 80 Insert 4-5/8" Top Offset White
2/10x8/0	22x80	30304532	32-13/32" x 92-7/8" S&R Non-Text FIGiz FBGL Dr FG2015 22 x 80 Insert 4-5/8" Top Offset White
3/0x8/0	26X80	30288132	34-13/32" x 92-7/8" S&R Non-Text FIGiz FBGL Dr FG2015 26 x 80 Insert 4-5/8" Top Offset White

**TABLE 25: Fir Textured Beige Patio Spec 6/8 - Pine Edge**

SIZE	GLASS	PART NO.	DESCRIPTION
2/6x6/8	20x64	30288332	28-13/32" x 76-7/8" S&R Text FIGiz FBGL Dr FG2015 Fir 20 x 64 Insert 4-5/8" Top Offset Beige
2/8x6/8	22x64	30288432	30-13/32" x 76-7/8" S&R Text FIGiz FBGL Dr FG2015 Fir 22 x 64 Insert 4-5/8" Top Offset Beige
2/10x6/8	22x64	30304832	32-13/32" x 76-7/8" S&R Text FIGiz FBGL Dr FG2015 Fir 22 x 64 Insert 4-5/8" Top Beige
3/0x6/8	26X64	30288632	34-13/32" x 76-7/8" S&R Text FIGiz FBGL Dr FG2015 Fir 26 x 64 Insert 4-5/8" Top Offset Beige

**TABLE 26: Fir Textured Beige Patio Spec 8/0 - Pine Edge**

SIZE	GLASS	PART NO.	DESCRIPTION
2/6x8/0	20x80	30288832	28-13/32" x 92-7/8" S&R Text FIGiz FBGL Dr FG2015 Fir 20 x 80 Insert 4-5/8" Top Offset Beige
2/8x8/0	22x80	30288932	30-13/32" x 92-7/8" S&R Text FIGiz FBGL Dr FG2015 Fir 22 x 80 Insert 4-5/8" Top Offset Beige
2/10x8/0	22x80	30305032	32-13/32" x 92-7/8" S&R Text FIGiz FBGL Dr FG2015 Fir 22 x 80 Insert 4-5/8" Top Beige
3/0x8/0	26X80	30289032	34-13/32" x 92-7/8" S&R Text FIGiz FBGL Dr FG2015 Fir 26 x 80 Insert 4-5/8" Top Offset Beige

**TITLE** VISTA GRANDE SLABS FULL LITE  
 FINAL ASSEMBLY DETAILS



TOLERANCES UNLESS OTHERWISE NOTED ARE:  
 FRACTION ± 1/32"  
 DECIMAL ± .031"  
 ANGLE ± 1°

DRAWING DESIGN AND OTHER DISCLOSURES ARE THE PROPERTY OF MASONITE DOOR CORPORATION. UNAUTHORIZED USE, MANUFACTURE OR REPRODUCTION (IN WHOLE OR IN PART) IS PROHIBITED.

ORIGINAL PER REVISION	H
SCALE	NTS
SHEET	9 OF 11
DRAWN BY	jloimeo
DATE	6/27/2016
DRAWING	B
	A1020163

**AMERICAN TEST LAB NORTH**  
 DATE 11/30/23  
 REPORT NO. ATLNC 0511.01-23

*Keith Owen*

**ATL INSPECTOR**

**TABLE 27: 7/0 & 7/6 MASONITE SPEC**

SIZE	GLASS	PART NO.	DESCRIPTION
3/0 X 7/0	26 X 68	30344032	35-3/4" x 83" S&R Non-Text FIGlz FBGL Dr VistaGrande 26 x 68 Insert 4-3/8" Top White
3/0 X 7/6	26 X 74	30344132	35-3/4" x 89" S&R Non-Text FIGlz FBGL Dr VistaGrande 26 x 74 Insert 4-3/8" Top White
3/0 X 7/0	26 X 68	30344032	35-3/4" x 83" S&R Non-Text FIGlz FBGL Dr VistaGrande 26 x 68 Insert 4-3/8" Top White (CS)
3/0 X 7/6	26 X 74	30344132	35-3/4" x 89" S&R Non-Text FIGlz FBGL Dr VistaGrande 26 x 74 Insert 4-3/8" Top White (CS)

**TABLE 27: 7/0 & 7/6 PREM SPEC**

SIZE	GLASS	PART NO.	DESCRIPTION
3/0 X 7/0	26 X 68	30344832	35-3/4" x 83-1/4" S&R Non-Text FIGlz FBGL Dr VistaGrande 26 x 68 Insert 4-3/8" Top White
3/0 X 7/6	26 X 74	30344932	35-3/4" x 89-1/4" S&R Non-Text FIGlz FBGL Dr VistaGrande 26 x 74 Insert 4-3/8" Top White
3/0 X 7/0	26 X 68	30345032	35-3/4" x 83-1/4" S&R Non-Text FIGlz FBGL Dr VistaGrande 26 x 68 Insert 4-3/8" Top White (CS)
3/0 X 7/6	26 X 74	30345132	35-3/4" x 89-1/4" S&R Non-Text FIGlz FBGL Dr VistaGrande 26 x 74 Insert 4-3/8" Top White (CS)

TITLE VISTA GRANDE SLABS FULL LITE  
 FINAL ASSEMBLY DETAILS



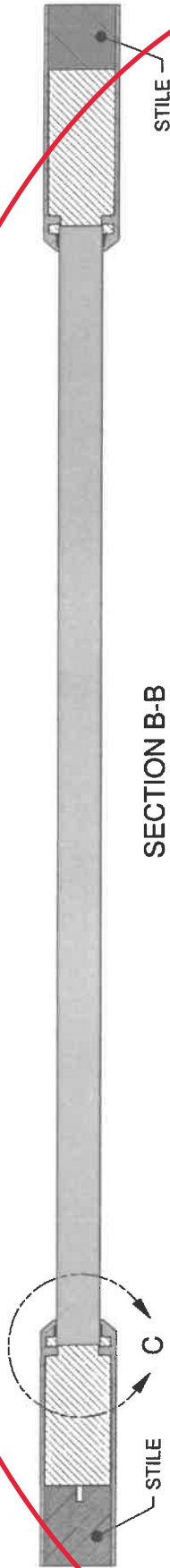
**MASONITE**

TOLERANCES UNLESS OTHERWISE NOTED ARE:  
 FRACTION ± 1/32"  
 DECIMAL ± .031"  
 ANGLE ± 1°  
 DRAWING DESIGN AND OTHER DISCLOSURES ARE THE PROPERTY OF MASONITE DOOR CORPORATION. UNAUTHORIZED USE, MANUFACTURE OR REPRODUCTION (IN WHOLE OR IN PART) IS PROHIBITED.

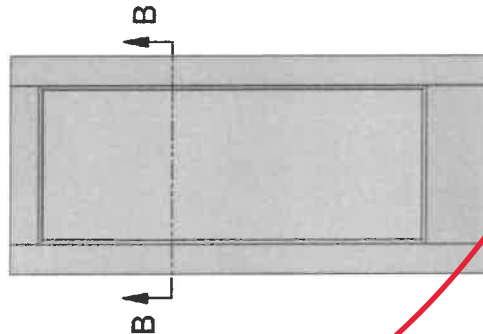
ORIGINAL PCR REVISION	H
SCALE	NTS
SHEET	10 OF 14
DRAWN BY	Homeo
SHEET SIZE	B
DATE	6/27/2016
DRAWING	A1020163



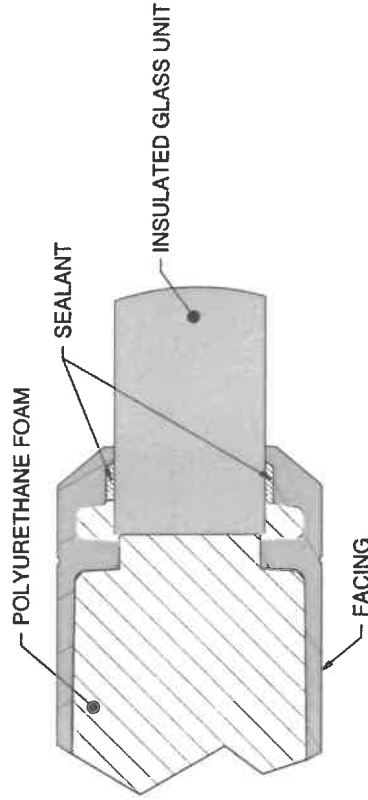
Released



SECTION B-B



DETAIL C



**AMERICAN TEST LAB NORTH**  
 DATE 11/30/23  
 REPORT NO. ATLNC 0511.01-23

*Keith Owen*  
 ATL INSPECTOR

TITLE VISTA GRANDE SLABS FULL LITE  
 FINAL ASSEMBLY DETAILS



ORIGINAL PER REVISION	H
SCALE	NTS
SHEET	11 OF 11
DRAWN BY	llomeo
SHEET SIZE	B
DATE	6/27/2016
DRAWING	A1020163

TOLERANCES UNLESS OTHERWISE NOTED ARE:  
 FRACTION  $\pm 1/32"$   
 DECIMAL  $\pm .031"$   
 ANGLE  $\pm 1'$

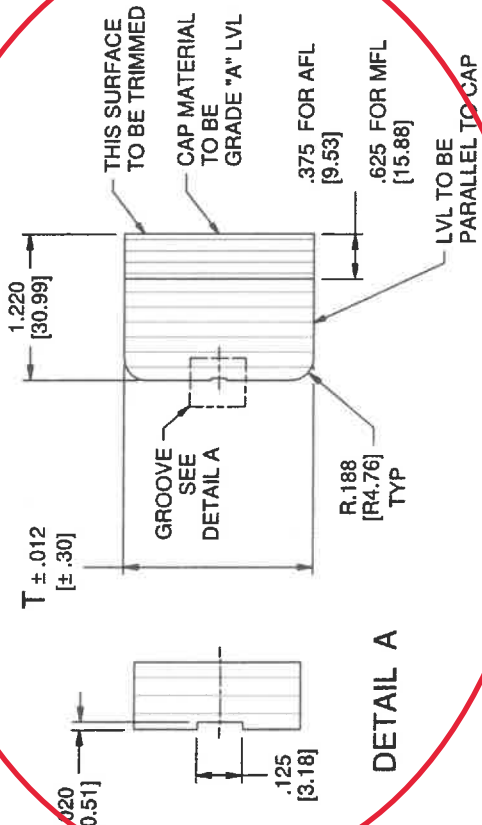
DRAWING DESIGN AND OTHER DISCLOSURES ARE THE PROPERTY OF MASONITE DOOR CORPORATION. UNAUTHORIZED USE, MANUFACTURE OR REPRODUCTION (IN WHOLE OR IN PART) IS PROHIBITED.

CONFIDENTIAL PROPERTY OF MASONITE. PRINTED DRAWING MAY NOT BE MOST RECENT VERSION

*Keith Owen*  
ATL INSPECTOR

REV	DESCRIPTION	PCR	DRAWN BY	DATE	APPROVED
E	(10) PART NUMBERS ADDED.	718	LBH	9/30/20	AAV
F	ADDED NOTE B	940	DB	05/19/2022	AAV

REVISION HISTORY



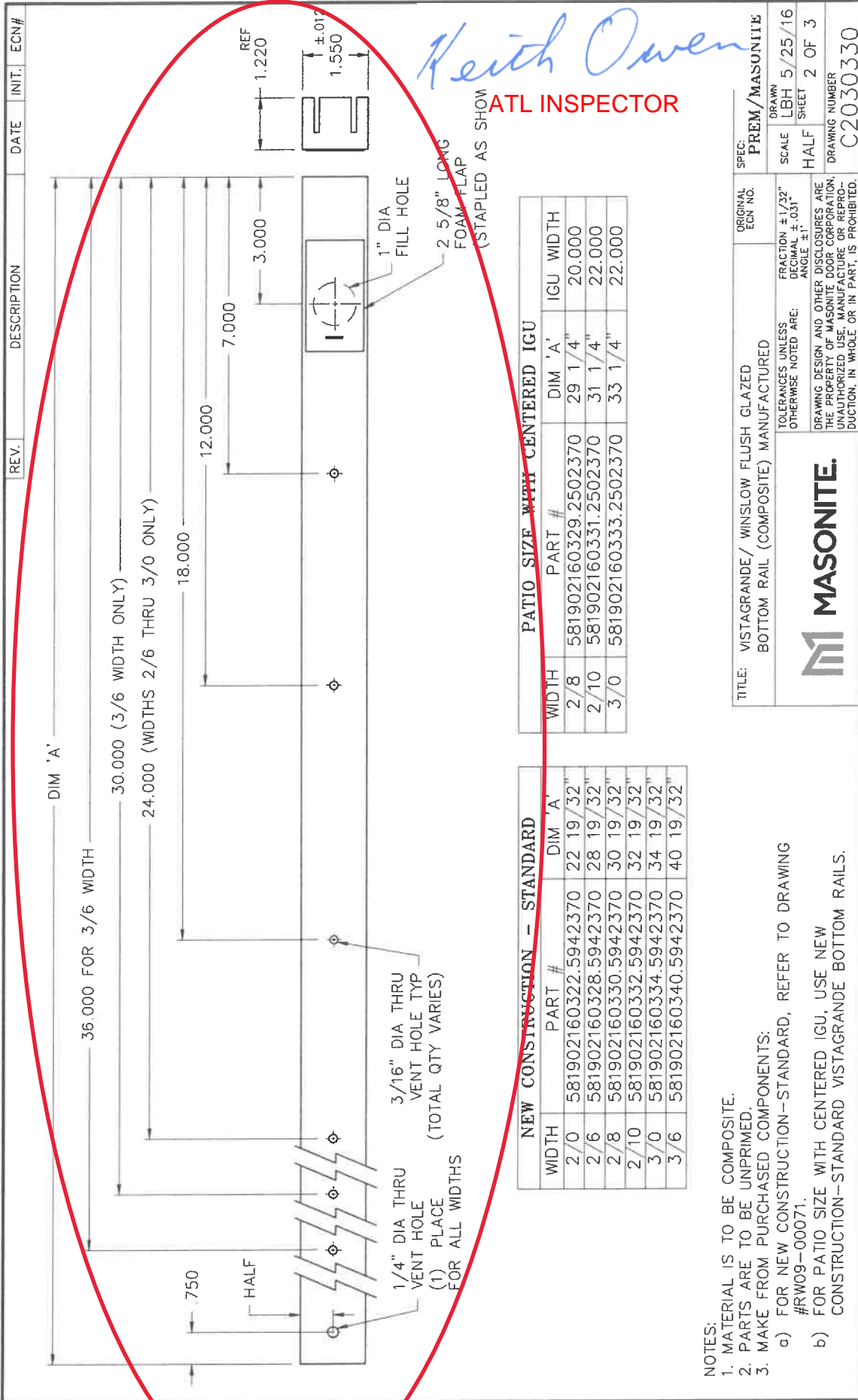
- NOTE:**
- SEE: EMS 306392 FOR WOOD INSPECTION STANDARDS
  - MATERIAL IS FINGER JOINTED OR LAP LVL OR EQUIVALENT
  - PARTS ARE UNPAINTED & WITH NO PRESERVATIVE FINISH
  - GRADE "A" LVL TO MEET "GRADED SURFACE X EXTERIOR" SPECIFICATION FROM EMS 306392
  - SYMBOL (C) INDICATES CRITICAL DIMENSION
  - DIMENSIONS IN BRACKETS [XX] INDICATE METRIC mm DIMENSIONS
  - MILL OPTION TO USE ONE LAYER OF RADIATA PINE VENEER ON FRONT AND BACK. ONE END OF THE THICK COMPONENTS (1.593" THICK) TO BE IDENTIFIED WITH YELLOW COLOR

PART NUMBER	DESCRIPTION	T	L	TYPE
582202150628.3750	28.375" FJ PN RAIL TOP	1.573	28.375	AFL
582202150628.5940	28.594" FJ PN RAIL TOP	1.573	28.594	MFL
582202150630.3750	30.375" FJ PN RAIL TOP	1.573	30.375	AFL
582202150630.5940	30.594" FJ PN RAIL TOP	1.573	30.594	MFL
582202150632.3750	32.375" FJ PN RAIL TOP	1.573	32.375	AFL
582202150632.5940	32.594" FJ PN RAIL TOP	1.573	32.594	MFL
582202150633.0310	33.031" FJ PN RAIL TOP	1.573	33.031	AFL
582202150634.3750	34.375" FJ PN RAIL TOP	1.573	34.375	AFL
582202150634.5940	34.594" FJ PN RAIL TOP	1.573	34.594	MFL
582202150340.5940	40.594" FJ PN RAIL TOP	1.573	40.594	MFL
582202150728.3750	28.375" (GEN) FJ PN RAIL TOP	1.593	28.375	AFL
582202150728.5940	28.594" (GEN) FJ PN RAIL TOP	1.593	28.594	MFL
582202150730.3750	30.375" (GEN) FJ PN RAIL TOP	1.593	30.375	AFL
582202150730.5940	30.594" (GEN) FJ PN RAIL TOP	1.593	30.594	MFL
582202150732.3750	32.375" (GEN) FJ PN RAIL TOP	1.593	32.375	AFL
582202150732.5940	32.594" (GEN) FJ PN RAIL TOP	1.593	32.594	MFL
582202150733.0310	33.031" (GEN) FJ PN RAIL TOP	1.593	33.031	AFL
582202150734.3750	34.375" (GEN) FJ PN RAIL TOP	1.593	34.375	AFL
582202150734.5940	34.594" (GEN) FJ PN RAIL TOP	1.593	34.594	MFL
582202150740.5940	40.594" (GEN) FJ PN RAIL TOP	1.593	40.594	MFL

ORIGINAL PCR REVISION	9393	SCALE	NTS	SHEET	1 OF 1	DATE	6/30/2016
5/4 TOP RAIL		FIBERGLASS - PURCHASED		DRAWING		C2030367	
TOLERANCES UNLESS OTHERWISE NOTED ARE:				FRACTION ± 1/32"		DECIMAL ± .031"	
				ANGLE ± 1°			
DRAWING DESIGN AND OTHER DISCLOSURES ARE THE PROPERTY OF MASONITE DOOR CORPORATION. UNAUTHORIZED USE, MANUFACTURE OR REPRODUCTION (IN WHOLE OR IN PART) IS PROHIBITED.							



*Keith Owen*  
 ATL INSPECTOR



**PATIO SIZE WITH CENTERED IGU**

WIDTH	PART #	DIM 'A'	IGU WIDTH
2/8	581902160329.2502370	29 1/4"	20.000
2/10	581902160331.2502370	31 1/4"	22.000
3/0	581902160333.2502370	33 1/4"	22.000

**NEW CONSTRUCTION - STANDARD**

WIDTH	PART #	DIM 'A'
2/0	581902160322.5942370	22 19/32"
2/6	581902160328.5942370	28 19/32"
2/8	581902160330.5942370	30 19/32"
2/10	581902160332.5942370	32 19/32"
3/0	581902160334.5942370	34 19/32"
3/6	581902160340.5942370	40 19/32"

- NOTES:
- MATERIAL IS TO BE COMPOSITE.
  - PARTS ARE TO BE UNPRIMED.
  - MAKE FROM PURCHASED COMPONENTS:
    - FOR NEW CONSTRUCTION--STANDARD, REFER TO DRAWING #RW09-00071.
    - FOR PATIO SIZE WITH CENTERED IGU, USE NEW CONSTRUCTION--STANDARD VISTAGRANDE BOTTOM RAILS.

TITLE: VISTAGRANDE/ WINSLOW FLUSH GLAZED BOTTOM RAIL (COMPOSITE) MANUFACTURED TOLERANCES UNLESS OTHERWISE NOTED ARE: FRACTION ±1/32" DECIMAL ±.031" ANGLE ±1"

ORIGINAL ECN NO.

SPEC: PREM/MASONITE

SCALE: LBH 5/25/16

SHEET: 2 OF 3

DRAWING NUMBER: C2030330

**MASONITE.**

DRAWING DESIGN AND OTHER DISCLOSURES ARE THE PROPERTY OF MASONITE DOOR CORPORATION. UNAUTHORIZED USE, MANUFACTURE OR REPRODUCTION, IN WHOLE OR IN PART, IS PROHIBITED.

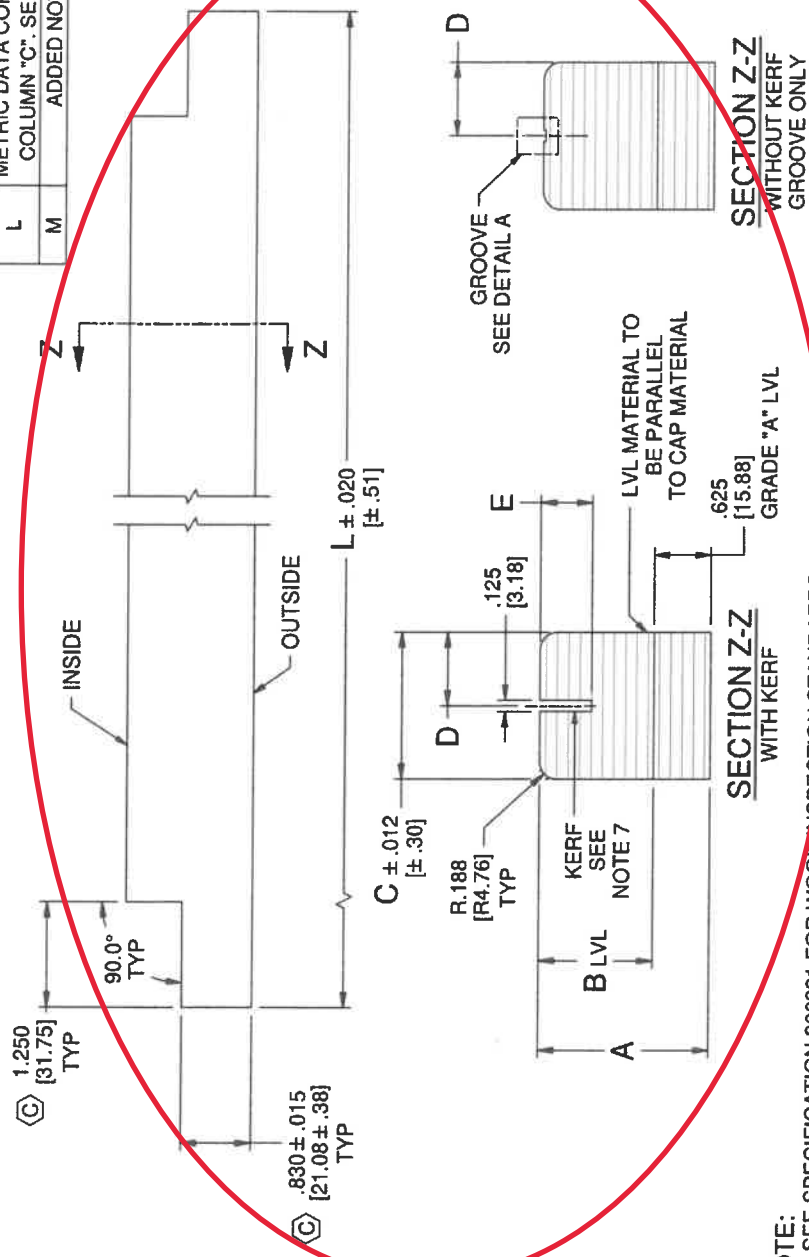
Released

REVISION HISTORY

REV	DESCRIPTION	PCR	DRAWN BY	DATE	APPROVED
K	(5) PART NUMBERS ADDED. SEE SHEET 2.	718	LBH	9/30/20	AAV
L	METRIC DATA CORRECTED IN COLUMN "C". SEE SHEET 2.	718	LBH	10/26/20	AAV
M	ADDED NOTE 11	940	DB	05/19/2022	AAV

AMERICAN TEST LAB NORTH  
 DATE 11/30/23  
 REPORT NO. ATLNC 0511.01-23

*Keith Owen*  
 ATL INSPECTOR



- NOTE:
- SEE SPECIFICATION 306391 FOR WOOD INSPECTION STANDARDS
  - ACCEPTABLE MATERIAL IS: LVL WITH GRADE "A" LVL
  - ACCEPTABLE CONSTRUCTION CAN BE: LAP JOINT LVL OR FINGERJOINT LVL CONSTRUCTION
  - OUTSIDE GRADE "A" LVL TO BE 5/8" THICK
  - GRADE A LVL TO MEET "GRADED SURFACE X-EXTERIOR" SPECIFICATION FROM EMS 306391
  - PARTS ARE UNPAINTED AND WITHOUT PRESERVATIVE FINISH
  - KERF- SEE TABLE 1 IF APPLICABLE
  - SYMBOL (C) INDICATES CRITICAL DIMENSION
  - DIMENSIONS IN BRACKETS [XX] INDICATE METRIC DIMENSIONS
  - MILL OPTION TO USE ONE LAYER OF RADIATA PINE VENEER ON FRONT AND BACK.
  - ONE END OF THE THICK COMPONENTS (1.598" THICK) TO BE IDENTIFIED WITH YELLOW COLOR

CONFIDENTIAL PROPERTY OF MASONITE PRINTED DRAWING MAY NOT BE MOST RECENT VERSION

TITLE		MFL WOOD STILES FOR FIBERGLASS - PURCHASED	
ORIGINAL FOR REVISION	SCALE	SHEET	DRAWN BY
9389	NTS	1 OF 2	JL
TOLERANCES UNLESS OTHERWISE NOTED ARE:	FRACTION ± 1/32"	SHEET DATE	DATE
	DECIMAL ± .031"	B	7/26/2016
	ANGLE ± 1°	DRAWING	
DRAUGHTING			C2030387
TOLERANCES UNLESS OTHERWISE NOTED ARE: FRACTION ± 1/32" DECIMAL ± .031" ANGLE ± 1° DRAWING DESIGN AND OTHER DISCLOSURES ARE THE PROPERTY OF MASONITE DOOR CORPORATION. UNAUTHORIZED USE, MANUFACTURE OR REPRODUCTION (IN WHOLE OR IN PART) IS PROHIBITED.			
<b>MASONITE</b>			

*Keith Owen*

ATL INSPECTOR

MFL STILES										
PART NUMBER	DESCRIPTION	L	A	B (REF)	KERF	E	C	D		
589601020377.3751181	77.375 Single Ply with LVL Stiles Blnk Hng FJ Pine Edge Band	77.375 [1965.33]	1.500 [38.10]	0.875 [22.23]	NO	N/A	1.578 [40.08]	0.789 [20.04]		
589601020777.3751181	77.375" (Gen) Single Ply with LVL Stiles Blnk Hng FJ Pine Edge Band	77.375 [1965.33]	1.500 [38.10]	0.875 [22.23]	NO	N/A	1.598 [40.59]	0.799 [20.04]		
589601060377.3751181	77.375 Single Ply with LVL Stiles Blnk Strk FJ Pine Edge Band	77.375 [1965.33]	1.875 [47.63]	1.250 [31.75]	NO	N/A	1.578 [40.08]	0.789 [20.04]		
589601060777.3751181	77.375" (Gen) Single Ply with LVL Stiles Blnk Strk FJ Pine Edge Band	77.375 [1965.33]	1.875 [47.63]	1.250 [31.75]	NO	N/A	1.598 [40.59]	0.799 [20.04]		
589601060377.3752366	77.375 Single Ply with LVL Stiles Blnk Strk FJ Pine Edge Band With Foam Kerf	77.375 [1965.33]	1.875 [47.63]	1.250 [31.75]	YES	0.563	1.550 [39.37]	0.775 [19.69]		
* 582201010679.562622	79.562 FJ Pn Stiles Blnk OAKCRAFT SIDELITE	79.562 [2020.87]	1.220 [30.99]	0.595 [15.11]	NO	N/A	1.578 [40.08]	0.789 [20.04]		
* 582201010779.562622	79.562" (Gen) FJ Pn Stiles Blnk OAKCRAFT SIDELITE	79.562 [2020.87]	1.220 [30.99]	0.595 [15.11]	NO	N/A	1.598 [40.59]	0.799 [20.04]		
* 582201010679.5622368	79.562 FJ Stiles Blnk OAKCRAFT SIDELITE with Foam Kerf	79.562 [2020.87]	1.220 [30.99]	0.595 [15.11]	YES	0.375	1.550 [39.37]	0.755 [19.18]		
589601020379.5621181	79.562 Single Ply with LVL Stiles Blnk Hng FJ Pine Edge Band	79.562 [2020.87]	1.500 [38.10]	0.875 [22.23]	NO	N/A	1.578 [40.08]	0.789 [20.04]		
589601020779.5621181	79.562" (Gen) Single Ply with LVL Stiles Blnk Hng FJ Pine Edge Band	79.562 [2020.87]	1.500 [38.10]	0.875 [22.23]	NO	N/A	1.598 [40.59]	0.799 [20.04]		
589601060379.5621181	79.562 Single Ply with LVL Stiles Blnk Strk FJ Pine Edge Band	79.562 [2020.87]	1.875 [47.63]	1.250 [31.75]	NO	N/A	1.578 [40.08]	0.789 [20.04]		
589601060779.5621181	79.562" (Gen) Single Ply with LVL Stiles Blnk Strk FJ Pine Edge Band	79.562 [2020.87]	1.875 [47.63]	1.250 [31.75]	NO	N/A	1.598 [40.59]	0.799 [20.04]		
589601060379.5622366	79.562 Single Ply with LVL Stiles Blnk Strk FJ Pine Edge Band With Foam Kerf	79.562 [2020.87]	1.875 [47.63]	1.250 [31.75]	YES	0.563	1.550 [39.37]	0.775 [19.69]		
589601010383.5621181	83.562 Single Ply with LVL Stiles Blnk FJ Pine Edge Band	83.562 [2122.47]	1.875 [47.63]	1.250 [31.75]	NO	N/A	1.578 [40.08]	0.789 [20.04]		
582201410693.375619	93.375 FJ Pine Stile Blnk Hng End-dado	93.375 [2371.73]	1.440 [36.58]	0.815 [20.70]	NO	N/A	1.578 [40.08]	0.789 [20.04]		
589601010393.3752366	93.375 Single Ply with LVL Stiles Blnk FJ Pine Edge Band With Foam Kerf	93.375 [2371.73]	1.875 [47.63]	1.250 [31.75]	YES	0.563	1.550 [39.37]	0.775 [19.69]		
* 582201010695.5622368	95.562 FJ Stiles Blnk OAKCRAFT SIDELITE with Foam Kerf	95.562 [2427.27]	1.220 [30.99]	0.595 [15.11]	YES	0.375	1.550 [39.37]	0.775 [19.69]		
* 582201010695.562622	95.562 FJ Stile Blnk OAKCRAFT SIDELITE	95.562 [2427.27]	1.220 [30.99]	0.595 [15.11]	NO	N/A	1.578 [40.08]	0.789 [20.04]		
589601010395.5622366	95.562 Single Ply with LVL Stiles Blnk FJ Pine Edge Band With Foam Kerf	95.562 [2427.27]	1.875 [47.63]	1.250 [31.75]	YES	0.563	1.550 [39.37]	0.775 [19.69]		
589601010395.5621181	95.562 Single Ply with LVL Stiles Blnk FJ Pine Edge Band	95.562 [2427.27]	1.875 [47.63]	1.250 [31.75]	NO	N/A	1.578 [40.08]	0.789 [20.04]		
589601010396.5001181	96.500 Single Ply with LVL Stiles Blnk Strk FJ Pine Edge Band	96.500 [2451.10]	1.875 [47.63]	1.250 [31.75]	NO	N/A	1.578 [40.08]	0.789 [20.04]		

\* SIDELITE STILES CAN BE FINGER JOINTED PINE CONSTRUCTION.

TITLE		MFL WOOD STILES FOR FIBERGLASS - PURCHASED	
ORIGINAL PCB REVISION	SCALE	SHEET	DRAWN BY
M	9389	2 OF 2	JL
TOLERANCES UNLESS OTHERWISE NOTED ARE:		FRACTION ± 1/32"	NTS
		DECIMAL ± .031"	SHEET SIZE
		ANGLE ± 1°	DATE
			B
			7/26/2016
			DRAWING
			C2030387



CONFIDENTIAL PROPERTY OF MASONITE PRINTED DRAWING MAY NOT BE MOST RECENT VERSION

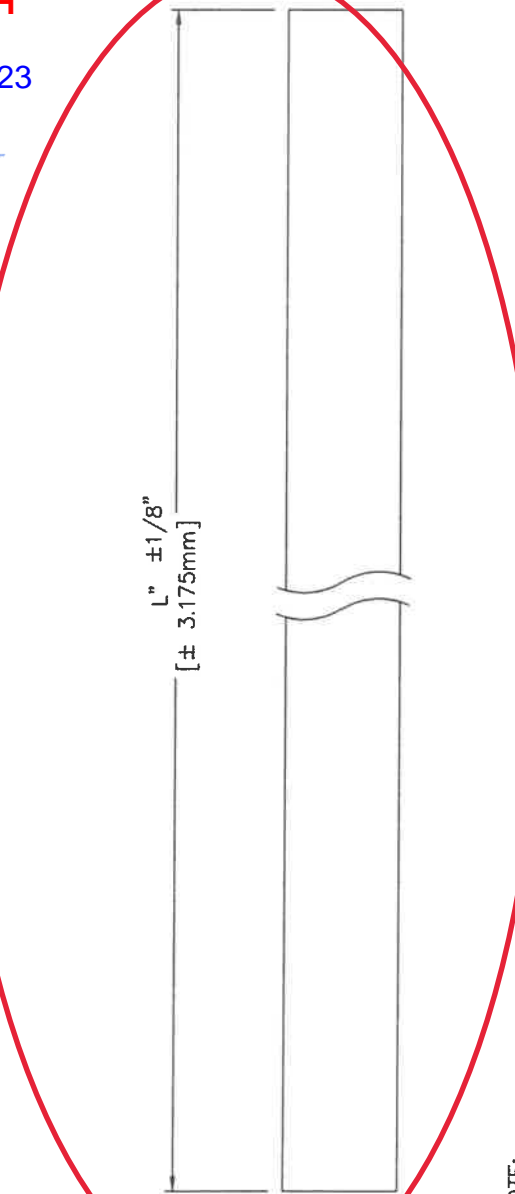
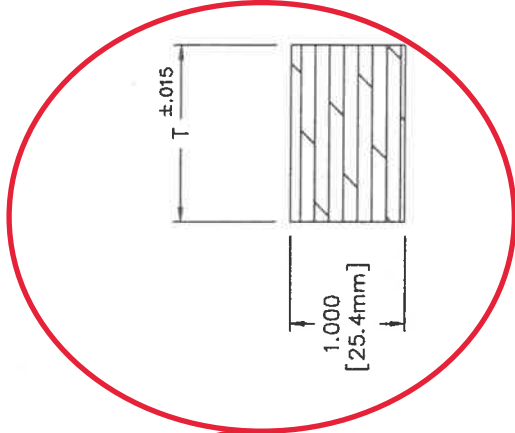
Released

**AMERICAN TEST LAB NORTH**  
 DATE 11/30/23  
 REPORT NO. ATLNC 0511.01-23

*Keith Owen*  
 ATL INSPECTOR

REV.	DESCRIPTION	DATE	INIT.	ECN #
J	REVISED LENGTH & PART NUMBER	10/3/14	AAV	9049
K	ADDED 12" PART NUMBER	3/9/15	AAV	9071
L	2 PART NUMBERS ADDED	9/30/20	AAV	718
M	ADDED NOTE 3	5/19/22	AAV	940

PART #	DIM 'L'	DIM 'T'
580003200321.0002367	21"	1.545"
580003200312.0002367	12"	1.545"
580003200712.0002367	21"	1.565"
580003200721.0002367	12"	1.565"



- NOTE:
- 1.) SEE EMS 306393 FOR INSPECTION STANDARDS.
  - 2.) SEE EMS 306393 FOR MATERIAL STANDARDS. USE OF PARTICLEBOARD IS NOT ALLOWED.
  - 3.) ONE END OF THE THICK COMPONENTS (1.565" THICK) TO BE IDENTIFIED WITH YELLOW COLOR.

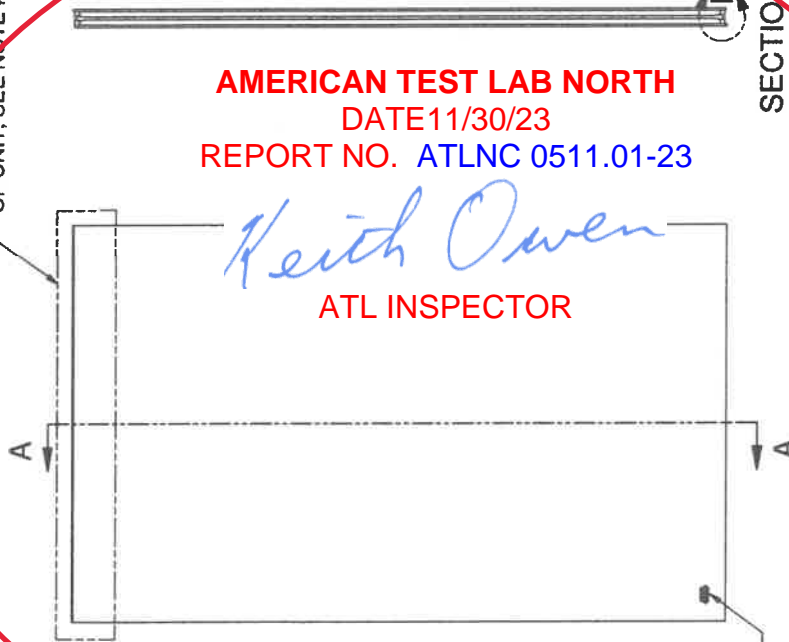
TITLE: 1" NARROW LOCK BLOCK PURCHASED		ORIGINAL ECN NO. ---	SPEC: MASONITE
TOLERANCES UNLESS OTHERWISE NOTED ARE:		FRACTION ±1/32" DECIMAL ±.031" ANGLE ±1°	SCALE: FULL
DRAWING DESIGN AND OTHER DISCLOSURES ARE THE PROPERTY OF MASONITE DOOR CORPORATION. UNAUTHORIZED USE, MANUFACTURE OR REPRODUCTION, IN WHOLE OR IN PART, IS PROHIBITED.		DRAWING NUMBER: RW10-00008	
		DRAWN: ELE 09/29/98	
		CHECKED:	

Released

REVISION HISTORY

REV	DESCRIPTION	PCR	DRAWN BY	DATE	APPROVED
E	EDITED LEADER TEXT ON SHEET 2	1201	DB	10/26/2022	AAV

CLOSURE TO BE AT TOP OF UNIT, SEE NOTE #6



**AMERICAN TEST LAB NORTH**  
 DATE 11/30/23  
 REPORT NO. ATLNC 0511.01-23

*Keith Owen*  
 ATL INSPECTOR

SECTION A-A

NOTE:

1. PREMIUM CUSHION EDGE SPACER SHOWN, PREMIUM SUPER SPACER SIMILAR REFER TO DRAWING C2030627 FOR SPACER DETAILS.
2. SECONDARY SEAL MUST NOT EXTEND BEYOND EDGE OF GLASS.
3. RECTANGULAR SEAL SHOWN. DETAIL "B" IS TYPICAL OF ALL SHAPES AND SIDES.
4. FOR IGU MANUFACTURING, INSPECTION & QUALITY REQUIREMENTS, REFER TO QUANEX SUPER SPACER INSULATING GLASS MANUFACTURING MANUAL.
5. CLOSURE MUST BE TIGHT WITH NO GAPS OR VOIDS IN SEALANT.
6. CLOSURE TO BE LOCATED AT TOP OF THE SEALED UNIT, UNLESS OTHERWISE SPECIFIED.
7. SEE SBP-EMS-0001 FOR FLAT GLASS SPECIFICATIONS.
8. SEE SBP-EMS-0006 FOR FLAT GLASS QUALITY SPECIFICATIONS.
9. TEMPER LOGOS ON BOTH PANES TO ALIGN IN SAME CORNER.
10. ALL TEMPERED GLASS MUST COMPLY WITH THE CODES AND STANDARDS LISTED IN SPEC. #SBP-EMS-0001, SECTION 3.0.
11. ALL TEMPERED GLASS TO BE MARKED WITH LOGO PER SPEC. # SBP-EMS-0001, SECTION 4.0.
12. IGU UNITS TO BE 3RD PARTY CERTIFIED TO ASTM E 2190 "STANDARD SPECIFICATION FOR INSULATING GLASS UNIT FOR PERFORMANCE AND EVALUATION" AND BE MARKED PER THEIR INSPECTION AGENCY REQUIREMENTS.
13. I.G. CERTIFICATION LOGO TO BE SAME CORNER OF IGU AS TEMPERED GLASS LOGO.
14. FOR CONSTRUCTION DETAILS, ACCEPTABLE MATERIALS, QUALITY STANDARDS, AND PERFORMANCE REQUIREMENTS OF LAMINATED SAFETY GLASS FOR LAMINATED IGU, REFER TO MASONITE EMS # SBP-EMS-0008.
15. DIMENSIONS IN BRACKETS [XX] INDICATE METRIC mm DIMENSIONS
16. IGU EDGE SHOULD BE FREE FROM EMBEDDED PIECES OF GLASS/CARDBOARD/CORK PADS ETC.

TITLE		ORIGINAL P.C.R. REVISION	
SUPER SPACER INSULATED GLASS UNIT ASSEMBLY		9576	E
TOLERANCES UNLESS OTHERWISE NOTED ARE:	FRACTION $\pm 1/32"$	SCALE	SHEET
	DECIMAL $\pm .031"$	NTS	1 OF 2
DRAWING DESIGN AND OTHER DISCLOSURES ARE THE PROPERTY OF MASONITE DOOR CORPORATION UNAUTHORIZED USE, MANUFACTURE OR REPRODUCTION (IN WHOLE OR IN PART) IS PROHIBITED.	ANGLE $\pm 1^\circ$	SHEET SIZE	DATE
		B	5/2/2017
		DRAWING	
		A1020319	

CONFIDENTIAL PROPERTY OF MASONITE PRINTED DRAWING MAY NOT BE MOST RECENT VERSION

LOW-E COATING SURFACE (LOW-E OR LOW-E ARGON IGU)

AIR (CLEAR OR LOW-E IGU)  
OR ARGON FILLED (LOW-E ARGON IGU)  
(MINIMUM 90% INITIAL FILL REQUIRED)

CLEAR OR LOW-E  
LAMINATED GLASS

OPTIONAL DECORATIVE PANEL

CLEAR OR TEXTURED  
TEMPERED GLASS



.500 MAX  
[12.70]

PREMIUM SUPER SPACER  
WITH BLACK ACRYLIC ADHESIVE



QUANEX EDGETHERM 3600  
OR HB FULLER ISOMELT M  
MINIMUM 7/32"

$X \pm .032$   
[ $\pm .81$ ]

W

.063 MAX SKEW  
[1.60]  
(MANUAL LINE)

.031 MAX SKEW  
[.79]  
(AUTO LINE)

STANDARD IGU

DETAIL B

TABLE 1	
X	W
1.000	0.750
0.750	0.500
0.500	0.250

OPTIONAL DECORATIVE PANEL

CLEAR OR TEXTURED  
TEMPERED GLASS



PREMIUM  
SUPER SPACER  
WITH BLACK  
ACRYLIC ADHESIVE



QUANEX EDGETHERM 3600  
OR HB FULLER ISOMELT M  
MINIMUM 7/32"

$X \pm .032$   
[ $\pm .81$ ]

W

.063 MAX SKEW  
[1.60]  
(MANUAL LINE)

.031 MAX SKEW  
[.79]  
(AUTO LINE)

LAMINATED IGU

DETAIL B

TABLE 2	
X	W
1.000	0.500

AMERICAN TEST LAB NORTH  
DATE 11/30/23  
REPORT NO. ATLNC 0511.01-23

*Keith Owen*

ATL INSPECTOR

SUPER SPACER INSULATED GLASS UNIT ASSEMBLY



ORIGINAL PER REVISION	E
SCALE	9576
SHEET	2 OF 2
DRAWN BY	EVT
NTS	
SHEET SIZE	B
DATE	5/2/2017
DRAWING	
A1020319	

TOLERANCES UNLESS OTHERWISE NOTED ARE:  
FRACTION  $\pm 1/32"$   
DECIMAL  $\pm .031"$   
ANGLE  $\pm 1"$

DRAWING DESIGN AND OTHER DISCLOSURES ARE THE PROPERTY OF MASONITE DOOR CORPORATION. UNAUTHORIZED USE, MANUFACTURE OR REPRODUCTION (IN WHOLE OR IN PART) IS PROHIBITED.